

# OPERATING, MAINTENANCE & PARTS MANUAL

MANUAL DE FUNCIONAMIENTO,  
MANTENIMIENTO Y PIEZAS

MANUEL D'ENTRETIEN,  
D'OPÉRATION ET DE PIÈCES

## HAND OPERATED LEVER HOIST

POLIPASTO MANUAL DE PALANCA

PALAN MANUEL À LEVIER

# CM<sup>®</sup> BANDIT<sup>™</sup> LEVER CHAIN HOIST

### Before installing hoist, fill in the information below.

Antes de instalar el polipasto, rellene los datos siguientes.

Enregistrez les informations suivantes avant de faire l'installation.

Rated Load / Carga Nominal / Charge nominale \_\_\_\_\_

Serial No. / N° de Serie / No. de Ser. \_\_\_\_\_

Purchase Date / Fecha de Compra / Date d'achat \_\_\_\_\_

### Rated Loads:

**3/4, 1-1/2, 3, and 6 tonne  
(750, 1500, 3000, 6000 kg.)**

**Follow all instructions and warnings  
for inspecting, maintaining and  
operating this hoist.**

The use of any hoist presents some risk of personal injury or property damage. That risk is greatly increased if proper instructions and warnings are not followed. Before using this hoist, each operator should become thoroughly familiar with all warnings, **instructions and recommendations in this manual. Retain this manual for future reference and use.**

Forward this manual to operator.  
Failure to operate equipment as  
directed in manual may cause injury.

### Capacidades de carga:

**3/4, 1-1/2, 3 y 6 toneladas  
(750, 1500, 3000, y 6000 kg)**

**Siga todas las instrucciones y  
advertencias para inspeccionar,  
mantener y operar este polipasto.**

El uso de cualquier polipasto presenta algunos riesgos de daños a las personas o a las cosas. Este riesgo se ve incrementado si no se siguen correctamente las instrucciones y advertencias. Antes de usar el polipasto el operario debería estar familiarizado con todas las advertencias, instrucciones y recomendaciones de este manual. **Guarde este manual para futuras consultas.**

Entregue este manual al operario. Si el equipo no se maneja tal y como se recomienda en el presente manual, es posible que se produzcan situaciones de peligro que pueden resultar en daños personales.

### Charges nominales:

**3/4, 1-1/2, 3 et 6 tonnes  
(750, 1500, 3000 et 6000 kg.)**

**Veillez vous conformer à toutes les  
instructions et avertissements d'inspection,  
d'entretien et d'opération de ce palan.**

L'utilisation de tout appareil de levage comporte des risques de blessures ou de dégâts matériels. Ces risques sont de beaucoup accrus si les instructions et avertissements ne sont pas suivis. Tous les opérateurs devraient se familiariser complètement avec toutes les recommandations instructions et avertissements de ce manuel avant d'utiliser ce palan. **Conservez ce manuel pour utilisation et référence future.**

Remettez ce manuel à l'opérateur.  
L'utilisation de cet équipement contrairement aux directives de ce manuel peut causer des blessures.



**THE WORLD'S FIRST  
HMI-CERTIFIED  
RATCHET LEVER HOIST**

# WARRANTY INFORMATION

## INDEMNIFICATION AND SAFE OPERATION

Buyer shall comply with and require its employees to comply with directions set forth in instructions and manuals furnished by Seller and shall use and require its employees to follow such instructions and manuals and to use reasonable care in the use and maintenance of the goods. Buyer shall not remove or permit anyone to remove any warning or instruction signs on the goods. In the event of personal injury or damage to property or business arising from the use of the goods, Buyer shall within 48 hours thereafter give Seller written notice of such injury or damage. Buyer shall cooperate with Seller in investigating any such injury or damage and in the defense of any claims arising therefrom.

If Buyer fails to comply with this section or if any injury or damage is caused, in whole or in part, by Buyer's failure to comply with applicable federal or state safety requirements, Buyer shall indemnify and hold Seller harmless against any claims, loss or expense for injury or damage arising from the use of the goods.

## CMCO WARRANTY (HOISTS)

- A. Columbus McKinnon Corporation ("Seller") warrants to the original end user ("Buyer") that: (a) for the life of the Goods, the mechanical components of the Goods will be free from defects in workmanship and materials.
- B. IN THE EVENT OF ANY BREACH OF SUCH WARRANTY, SELLER'S SOLE OBLIGATION SHALL BE EXCLUSIVELY LIMITED TO, AT THE OPTION OF SELLER, REPAIR OR REPLACEMENT, F.O.B. SELLER'S POINT OF SHIPMENT, OF ANY GOODS THAT SELLER DETERMINES TO HAVE BEEN DEFECTIVE OR, IF SELLER DETERMINES THAT SUCH REPAIR OR REPLACEMENT IS NOT FEASIBLE, TO A REFUND OF THE PURCHASE PRICE UPON RETURN OF THE GOODS TO SELLER. NO CLAIM AGAINST SELLER FOR ANY BREACH OF (i) SUCH WARRANTY WITH RESPECT TO THE ELECTRICAL COMPONENTS OF ANY GOOD SHALL BE VALID OR ENFORCEABLE UNLESS BUYER'S WRITTEN NOTICE THEREOF IS RECEIVED BY SELLER WITHIN ONE (1) YEAR FROM THE DATE OF SELLER'S DELIVERY TO THE CARRIER AND (ii) SUCH WARRANTY WITH RESPECT TO THE MECHANICAL COMPONENTS OF ANY GOOD SHALL BE VALID OR ENFORCEABLE UNLESS BUYER'S WRITTEN NOTICE THEREOF IS RECEIVED BY SELLER WITHIN ONE (1) YEAR FROM THE DATE THE DATE ANY ALLEGED CLAIM ACCRUES. EXCEPT FOR THE WARRANTY SET FORTH ABOVE, SELLER MAKES NO OTHER WARRANTIES WITH RESPECT TO THE GOODS, WHETHER EXPRESSED OR IMPLIED, INCLUDING ANY WARRANTIES OF MERCHANTABILITY, FITNESS FOR A PARTICULAR PURPOSE, QUALITY AND/OR THOSE ARISING BY STATUTE OR OTHERWISE BY LAW OR FROM ANY COURSE OF DEALING OR USE OF TRADE, ALL OF WHICH ARE HEREBY EXPRESSLY DISCLAIMED.
- C. IN NO EVENT SHALL SELLER BE LIABLE TO BUYER OR ANY THIRD PARTY WITH RESPECT TO ANY GOOD, WHETHER IN CONTRACT, TORT OR OTHER THEORY OF LAW, FOR LOSS OF PROFITS OR LOSS OF USE, OR FOR ANY INCIDENTAL, CONSEQUENTIAL, SPECIAL, DIRECT OR INDIRECT DAMAGES, HOWSOEVER CAUSED. SELLER'S MAXIMUM LIABILITY TO BUYER WITH RESPECT TO THE GOODS SHALL IN NO EVENT EXCEED THE PRICE PAID BY BUYER FOR THE GOODS THAT ARE THE SUBJECT OF THE APPLICABLE CLAIM.
- D. Seller shall not be liable for any damage, injury or loss arising out of the use of the Goods if, prior to such damage, injury or loss, such Goods are: (1) damaged or misused following Seller's delivery to the carrier; (2) not maintained, inspected, or used in compliance with applicable law and Seller's written instructions and recommendations; or (3) installed, repaired, altered or modified without compliance with such laws, instructions or recommendations.
- E. This warranty is limited and provided only to the original end user. In addition to the lifetime hoist warranty, there is a 3-Year Brake Warranty on the Bandit. If the brake discs on the Bandit wear out within three years from the date of purchase, Columbus McKinnon will replace the ratchet disc assembly free of charge. The brake repair must be done by an Authorized Bandit Service Center as designated by Columbus McKinnon. Visit [www.cmworks.com](http://www.cmworks.com) for a list of locations.
- F. Any action against Seller for breach of warranty, negligence or otherwise in connection with the electrical components of any Good must be commenced by Buyer within one (1) year after: (a) the date any alleged claim accrues; or (b) the date of delivery of the Goods to Buyer, whichever is earlier. Any action against Seller for breach of warranty, negligence or otherwise in connection with the mechanical components of any Good must be commenced by Buyer within one (1) year after the date any alleged claim accrues.

## CM HOIST PARTS AND SERVICES ARE AVAILABLE IN THE UNITED STATES AND IN CANADA

As a CM hoist and trolley user you are assured of reliable repair and parts services through a network of Master Parts Depots and Service Centers that are strategically located in the United States and Canada.

These facilities have been selected on the basis of their demonstrated ability to handle all parts and repair requirements promptly and efficiently. To quickly obtain the name of the Master Parts Depot or Service Center located nearest you, call (800) 888-0985. Fax: (716) 689-5644.

*Note: When ordering parts, always furnish rated load and serial number of hoist on which the parts are to be used.*

## **WARNING**

Improper operation of a hoist can create a potentially hazardous situation which, if **not** avoided, could result in death, or serious injury. To avoid such a potentially hazardous situation, the operator shall:

1. **NOT** operate a malfunctioning or unusually performing hoist.
2. **NOT** operate the hoist until you have thoroughly read and understood this manual.
3. **NOT** operate a hoist which has been modified without the manufacturer's approval or certification to be in conformity with applicable OSHA regulations.
4. **NOT** lift or pull more than rated load for the hoist.
5. **NOT** use damaged hoist or hoist that is **Not** working properly.
6. **NOT** use hoist with twisted, kinked, damaged, or worn load chain.
7. **NOT** operate with any lever extension (cheater bar).
8. **NOT** attempt to "free chain" the hoist while a load is applied.
9. **NOT** use the hoist to lift, support, or transport people.
10. **NOT** lift loads over people and make sure all personnel remain clear of supported load.
11. **NOT** attempt to lengthen the load chain or repair damaged load chain.
12. Protect the hoists load chain from weld splatter or other damaging contaminants.
13. **NOT** operate a hoist when it is restricted from forming a straight line from hook to hook in the direction of loading.
14. **NOT** use load chain as a sling or wrap load chain around load.
15. **NOT** apply the load to the tip of the hook or to the hook latch.
16. **NOT** apply load unless load chain is properly seated in the chain wheel(s) or sprocket(s).
17. **NOT** apply load if bearing prevents equal loading on all load supporting chains.
18. **NOT** operate beyond the limits of the load chain travel.
19. **NOT** leave load supported by the hoist unattended unless specific precautions have been taken.
20. **NOT** allow the chain or hook to be used as an electrical or welding ground.
21. **NOT** allow the chain or hook to be touched by a live welding electrode.
22. **NOT** remove or obscure the warnings on the hoist.
23. **NOT** operate a hoist which has **Not** been securely attached to a suitable support.
24. **NOT** operate a hoist unless load slings or other approved single attachments are properly sized and seated in the hook saddle.
25. **NOT** lift loads that are **Not** balanced and the holding action is **Not** secure, taking up slack carefully.
26. **NOT** operate a hoist unless all persons are and remain clear of the supported load.
27. Report malfunctions or unusual performances of a hoist, after it has been shut down until repaired.
28. **NOT** operate a hoist on which the safety placards or decals are missing or illegible.
29. Be familiar with operating controls, procedures and warnings.

## **CAUTION**

Improper operation of a hoist can create a potentially hazardous situation which, if not avoided, could result in minor or moderate injury. To avoid such a potentially hazardous situation, the operator shall:

1. Maintain a firm footing or be otherwise secured when operating the hoist.
2. Check brake function by tensioning the hoist prior to each lift or pulling operation.
3. Use hook latches. Latches are to retain slings, chains, etc. under slack conditions only.
4. Make sure the hook latches are closed and **not** supporting any parts of the load.
5. Make sure the load is free to move and will clear all obstructions.
6. Avoid swinging the load or hook.
7. Avoid lever "fly-back" by keeping a firm grip on the lever until operating stroke is completed and lever is at rest.
8. Inspect the hoist regularly, replace damaged or worn parts, and keep appropriate records of maintenance.
9. Use Columbus McKinnon parts when repairing the unit.
10. Lubricate load chain as recommended in this manual.
11. **NOT** operate except with manual power.
12. **NOT** permit more than one operator to pull on lever at the same time. More than one operator is likely to cause hoist overload.
13. **NOT** allow your attention to be diverted from operating the hoist.
14. **NOT** allow the hoist to be subjected to sharp contact with other hoists, structures, or objects through misuse.
15. **NOT** adjust or repair the hoist unless qualified to perform such adjustments or repairs.

**The hoists are intended for general industrial use for moving loads within their load ratings. Prior to installation and operation, the user should review the application for abnormal environmental or handling conditions.**

## **GENERAL SAFETY INFORMATION**

### **ADVERSE ENVIRONMENTAL CONDITIONS**

Do not use the hoists in areas containing flammable vapors, liquids, gasses or any combustible dust or fibers. Do not use the hoist in highly corrosive, abrasive, wet environments or in applications involving exposure to temperatures below -10°F or above 130°F.

### **MOVING HAZARDOUS LOADS**

The hoists are not recommended for lifting materials that could cause widespread damage if dropped. The lifting or moving of materials that could explode or cause chemical or radioactive contamination requires fail-safe, redundant supporting devices that are not incorporated into these hoists.

## DESCRIPTION

The CM Bandit hand operated lever hoists are highly versatile tools that can be used in any position to efficiently pull, lift, drag, or stretch. The frame, covers and lever are made from steel stampings. The gears are heat treated steel, upper and lower hooks are forged steel and the chain is heat treated, welded link type.

Hoist with load ratings of 3/4, 1½, 3 and 6 tonne are available and this manual applies to these units. The hoists are available with 5, 10, 15 and 20 foot lifts.

Hooks with latches are standard on all units.

The CM Bandit hand operated lever hoists are built in accordance with the specification contained herein and at the time of manufacture complies with the applicable sections of the American Society of Mechanical Engineers (ASME) Standard B30.21: Manually Operated Lever Hoists.

## SPECIFICATIONS

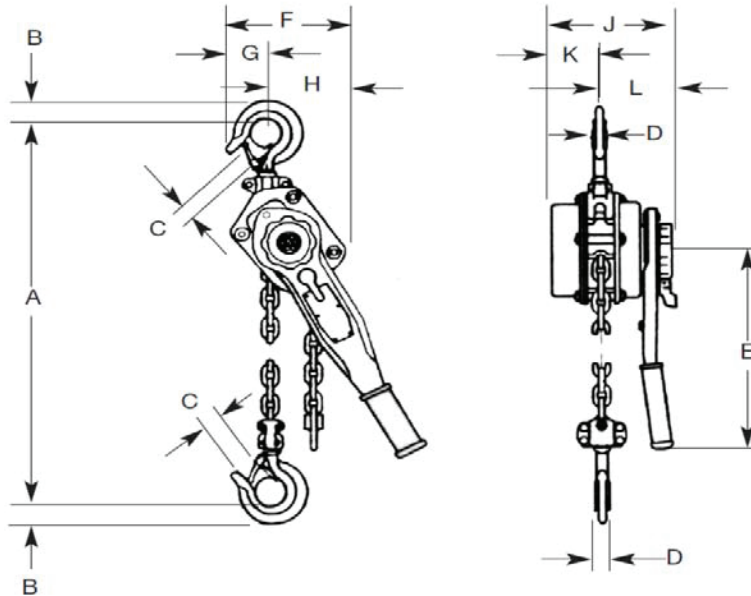


Figure 2 – Specifications

Model No.	Load Rating (Tonnes)	Lift or Reach ft. (m)	Lever Pull to Lift Rated Load lbf (kgf)	Net Weight lbs. (kg)	Dimensions in. (mm)										
					A	B	C	D	E	F	G	H	J	K	L
BAN07505	0.75	5 (15)	45 (20.4)	13.6 (6.2)	12.8 (325)	0.94 (24)	1.13 (29)	0.69 (18)	9.63 (244)	4.88 (124)	2.19 (56)	3.31 (84)	6.06 (154)	2.11 (54)	3.95 (100)
BAN07510		10 (30)		15.7 (7.1)											
BAN07515		15 (45)		18 (8.1)											
BAN07520		20 (60)		20.1 (9.1)											
BAN075LCX		-		9.7 (4.4)											
BAN15005	1.5	5 (15)	64 (20.0)	20.7 (9.4)	14.2 (361)	1.13 (29)	1.25 (32)	0.81 (21)	10.25 (260)	5.63 (143)	2.38 (60)	3.56 (90)	6.75 (171)	2.69 (68)	4.12 (105)
BAN15010		10 (30)		24.3 (11)											
BAN15015		15 (45)		27.9 (12.7)											
BAN15020		20 (60)		31.5 (14.3)											
BAN150LCX		-		16.4 (7.4)											
BAN30005	3	5 (15)	73 (33.1)	38 (17.4)	17.5 (445)	1.69 (43)	1.56 (40)	1.25 (32)	16.37 (416)	7.52 (191)	3.38 (86)	4.65 (118)	7.84 (199)	3.29 (84)	4.56 (116)
BAN30010		10 (30)		45.7 (20.7)											
BAN30015		15 (45)		53 (24)											
BAN30020		20 (60)		60.4 (27.4)											
BAN300LCX		-		29.5 (13.4)											
BAN60005	6	5 (15)	85 (38.5)	63.2 (28.6)	22 (559)	1.81 (46)	2.19 (56)	1.5 (38)	16.37 (416)	9.47 (241)	3.38 (86)	6.05 (154)	7.84 (199)	3.29 (84)	4.56 (116)
BAN60010		10 (30)		77.9 (35.3)											
BAN60015		15 (45)		92.6 (42)											
BAN60020		20 (60)		107.3 (48.7)											
BAN600LCX		-		44.5 (20.2)											

**UNPACKING**

After unpacking the hoist, inspect carefully for any damage that may have occurred during transit. Check for loose, missing or damaged parts. Shipping damage claims must be filed with carrier. The hoist is supplied completely assembled and ready to use.

**CM® REPAIR/REPLACEMENT POLICY**

All Columbus McKinnon (CM) Bandit hoists are inspected and performance tested prior to shipment. If any properly maintained hoist develops a performance problem, during the life of the Goods, due to a material or workmanship defect, as verified by CM, repair or replacement of the unit will be made to the original purchaser without charge. In addition to the lifetime hoist warranty, there is a 3-Year Brake Warranty on the Bandit. If the brake discs on the Bandit wear out within three years from the date of purchase, Columbus McKinnon will replace the ratchet disc assembly free of charge. The brake repair must be done by an Authorized Bandit Service Center as designated by Columbus McKinnon.

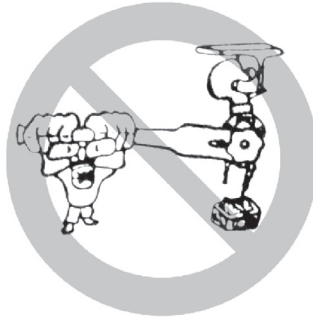
This repair/replacement policy applies only to CM Bandit hoists installed, maintained and operated as outlined in this manual, and specifically excludes hoists subject to normal wear, abuse, improper installation, improper or inadequate maintenance, hostile environmental effects and unauthorized repairs/modifications. We reserve the right to change materials or design if, in our opinion, such changes will improve our product. Abuse, repair by an unauthorized person, or use of non-CM replacement parts voids the guarantee and could lead to dangerous operation. For full Terms of Sale, see Sales Order Acknowledgement. Also, refer to the Limitations of Warranties, Remedies and Damages, and Indemnification and Safe Operation.

**INSTALLATION**

Before installing the hoist:

1. Estimate the weight of the load that is to be lifted or moved and make sure it does not exceed the rated load of the hoist.
2. Make sure the support or sling to which the upper hook is attached is strong enough to hold several times the weight of the load to be lifted or moved. Be sure the hoist is solidly held in the uppermost part of the upper hook and the latch is closed and not in contact with the support or sling.

3. The area in which the hoist is installed must provide sufficient room for:
  - The operator to operate the lever.
  - The operator and other personnel to stand clear of the load at all times.
  - Firm footing for the operator.



- Clearance between the hoist frame and any object. The frame must be free to swivel on the upper hook.

<b>⚠ WARNING</b>
Attaching the hoist from an inadequate support may allow the hoist and load to fall and cause injury and/or property damage.
<b>TO AVOID INJURY:</b>
Make sure the structure has sufficient strength to hold several times the hoist weight and its rated load.



**OPERATION**

<b>⚠ WARNING</b>
If not used as directed, lever hoist may cause injury.
<b>TO AVOID INJURY:</b>
Use only as directed below. Read all instructions before operating the CM Bandit hand operated lever hoist.

**GENERAL**

1. The hoist must be kept clean to assure proper operation. Before use, check to be sure the load chain is clean, that there is no foreign material in the liftwheel area and that the lever operates freely.
2. Do not load beyond the rated capacity. Overload can cause immediate failure or cause damage resulting in future failure, even at less than rated capacity.
3. Do not use this hoist or any other material handling equipment for lifting or moving people, or lifting loads over people.
4. Stand clear of all loads and warn other people of your intention to move a load in their area.
5. Do not leave a load on the unit unattended.
6. Read warnings and instructions on the hoist before each use.
7. Do not hold the load chain while operating the hoist. Should the hoist not operate properly, serious injury may occur.
8. Never operate the hoist when flammable materials or vapors are present. Contact between metal parts may produce sparks that can cause a fire or explosion.
9. **STAY ALERT!** Watch what you are doing and use common sense. Do not use the hoist when you are tired, distracted or under the influence of drugs, alcohol or medication causing diminished control.

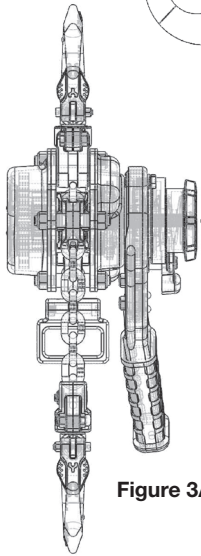
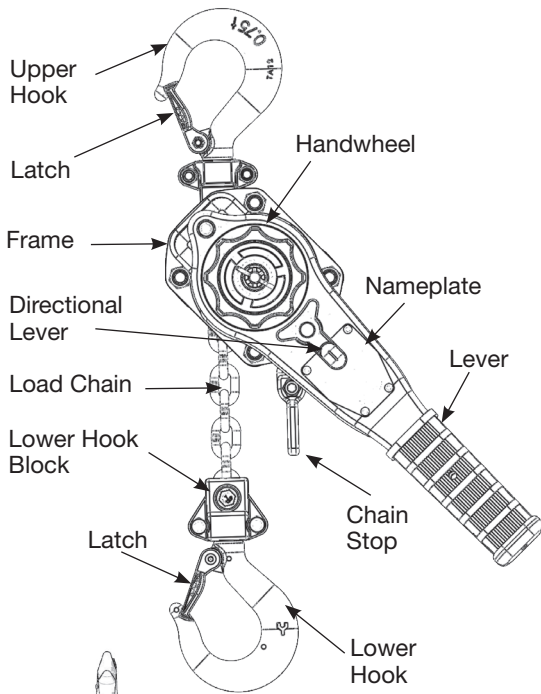
<b>⚠ WARNING</b>
Malfunfunction of unit, rigging slip or loss of footing may cause user to slip resulting in injury.
<b>TO AVOID INJURY:</b>
Always have a firm and secure footing when using the CM Bandit hand operated lever hoist.

**FREE CHAINING**

In this mode of operation, the chain can be pulled through the hoist in either direction by hand for quick attachment to the load.

To engage the free chaining feature, remove any load from the hoist and move the directional lever to the ("N") position.

## OPERATION (CONTINUED)



Pull out on handwheel, as shown in Figure 3A. The handwheel will automatically rotate counter clockwise to put the unit in free chain mode.

Do not take up the load chain to the point where the chain stop or lower hook block becomes jammed against the frame.

Figure 3A

### ATTACHING THE LOAD

Attach the lower hook to the load so that it is seated in the bowl of the hook and is not bearing against the tip of the hook or latch, and the latch is tight against the hook tip.

#### ⚠ WARNING

Allowing the load to bear against the hook latch and/or hook tip can result in loss of load.

##### TO AVOID INJURY:

Do not allow the load to bear against the hook latch and/or hook tip. Apply load to hook bowl or saddle only.

Do not wrap the chain around the load and hook onto itself as a choker chain sling or bring the load in contact with the hoist. Doing this will result in the loss of the swivel effect of the hook which could cause twisted chain and a jammed liftwheel. Also, the chain may be damaged at the hook. Make sure the upper and lower hooks are in a straight line and the frame is free to swivel on the upper hook.

### TO PULL OR LIFT THE LOAD

While holding the load end of the chain, rotate the hand wheel clockwise, as shown in Figure 3B. The hand wheel will “snap” back in place re-engaging the hoist gearing.

Move directional lever to the load position. Operate lever in up and down motion to lift the load.

When pulling or lifting, move the load only enough to slightly load the unit, then check to be sure that the attachments to the hooks and load are firmly seated. Continue movement only after you are assured the load is free of all obstructions.

The hoist has been designed for hand powered operation only. Do not use an extension on the lever. Any pull force greater than 67.5lbf for the 0.75 tonne unit, 96lbf for the 1.5 tonne, 103lbf for 3 tonne, and 116lbf for 6 tonne unit is an indication of either an overload or an incorrectly maintained unit.

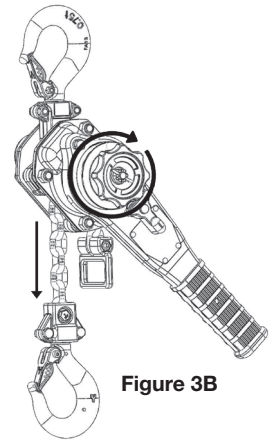


Figure 3B

### TO LOOSEN OR LOWER LOAD

#### ⚠ WARNING

Power operation may cause structural damage or premature wear that in turn may cause a part to break and allow the load to fall.

##### TO AVOID INJURY:

Operate the CM Bandit lever hoist using hand power only!

Move directional lever to the unload position. Again, operate lever in an up and down motion to increase the distance between hooks and thus loosen or lower the load.

### LOCKED BRAKE

If a hoist which is under load is suddenly relieved of the load by lifting the load off of the lower hook by some other means or pulling down walls, the brake will lock.

The brake will also lock if the lower hook block is pulled tightly against the frame.

To unlock the brake, turn the directional lever to the unload position and pull on the lever sharply.

#### ⚠ WARNING

Turning the Free Chaining Knob with a load attached will allow the load to release and may cause injury.

##### TO AVOID INJURY:

Never turn the Free Chaining Knob when the lever hoist is under load.

#### ⚠ WARNING

If the unit is not rigged in a straight line hook to hook manner, and if the frame is not free to swivel, lever pull may break frame and cause physical injury and loss of load.

##### TO AVOID INJURY:

Rig the unit in a straight line hook to hook manner and keep frame free to swivel (See Figure 4).

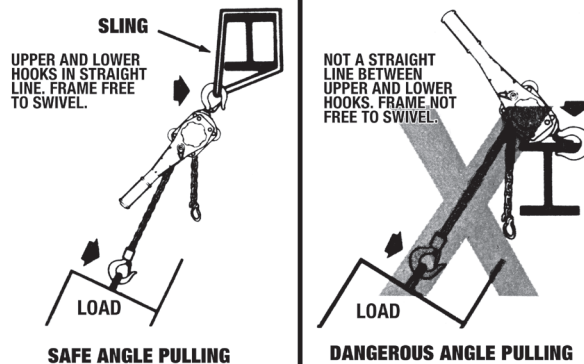


Figure 4 - Pulling at an Angle

## INSPECT HOIST

Before each use and at specified intervals as directed in the inspection section.

### **WARNING**

Use as directed above. Failure to do so may cause injury to you or others.

1. **DO NOT** exceed capacity shown on nameplate.
2. **DO NOT** use to lift people or loads over people.
3. **DO NOT** use unless the hoist's frame and chain form a straight line between hooks.
4. **DO NOT** use if the frame is in contact with any object.
5. **DO NOT** use if the unit is damaged or malfunctions.
6. **DO NOT** use extension on lever. Use hand power only.
7. **DO NOT** use if chain is twisted, kinked or damaged.

## MAINTENANCE

### INSPECTION

To maintain continuous and satisfactory operation, a regular inspection procedure must be initiated so that worn or damaged parts can be replaced before they become unsafe. The intervals of inspection must be determined by the individual application and are based upon the type of service to which the hoist is subjected. The intervals indicated as follows are based on normal service.

The inspections are divided into two general classifications designated as "frequent" and "periodic".

#### FREQUENT INSPECTIONS

These inspections are usually visual examinations by the operator. Frequent inspections are to be performed daily or before each use and they are to include:

1. Braking mechanism for evidence of slippage.
2. Operation of the directional lever for free movement.
3. Load chain for lubricant, wear, damaged links or foreign material.
4. Hooks for damage, cracks, twists, latch engagement and latch operation.

### PERIODIC INSPECTIONS

These are visual inspections of external and internal conditions by a designated person making records to provide the basis for continuing evaluation of the condition of the hoist. The frequency of periodic inspections is based upon usage as defined in ASME B30.21. Periodic inspections should include those items as well as the following:

1. Chain for excessive wear or stretch (See Figures 6 and 7, page 7).
2. Worn, cracked or distorted parts such as lower hook block, upper hook block, upper hook pin, chain guide, bushings, lever, brake cover, free chaining knob, directional pawl, friction hub and lever ratchet.
3. Inspect for wear on the tip of the pawls, teeth of the ratchet, and pockets of the liftwheel.
4. Loose or missing bolts, nuts, pins or rivets.
5. Inspect the brake components for worn, glazed or contaminated friction discs and scoring of the friction hub and ratchet. Replace brake ratchet assembly if contaminated, glazed or if thickness is less than 0.256 in. (6.5 mm) for 0.75 tonne and 1.5 tonne, and 0.307 in. (7.8 mm) for 3 tonne and 6 tonne.
6. Corroded, stretched or broken pawl springs, directional lever pawl spring and lever ratchet spring.
7. Hooks – Visual inspection based upon ASME B30.10 and ASME B30.21.
8. Nameplate and Warning Labels for legibility and retention.
9. Chain stop in place and properly secured.

Any deficiency should be corrected before the hoist is returned to service. Also, the external conditions may show the need for more detailed inspection which, in turn, may require the use of non-destructive type testing.

Any parts deemed unserviceable are to be replaced with new parts before the hoist is returned to service. It is very important that the unserviceable parts are destroyed and properly disposed of to prevent their possible future use as a repair item.

When the unit is subjected to heavy usage or dusty, gritty, moist or corrosive atmospheric conditions, shorter time periods must be assigned. Inspection must be made of all parts for unusual wear, corrosion or damage, in addition to those specifically mentioned in the schedule.

### HOOK INSPECTION

Hooks damaged from chemicals, deformations or cracks, or that have a twist from the plane of the unbent hook, excessive opening or seat wear, must be replaced (see ASME B30.10). Also, hooks that are opened to the extent that the latch does not engage the tip must be replaced. Any hook that is twisted or has excessive throat opening indicates abuse or overloading of the hoist. Other load sustaining parts should be inspected for damage.

Check to assure the latch is not damaged or bent and that it operates properly. It should have sufficient spring pressure to keep it tightly against the tip of the hook and allow it to spring back to the tip when released. If the latch does not operate properly, replace the latch.

The chart above should be used to determine when the hook must be replaced.

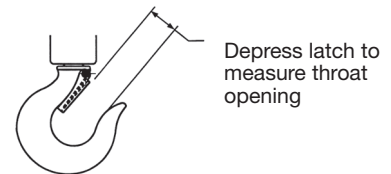


Figure 5 - Hook Inspection

Hoist Capacity (Tonnes)	Replace Hook When Opening is Greater Than: in. (mm)
3/4	1.25 (19)
1-1/2	1.375 (35)
3	1.72 (44)
6	2.31 (59)

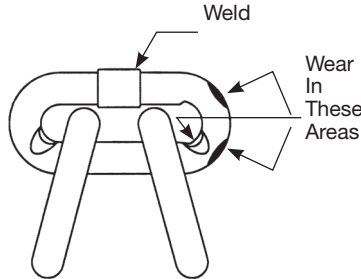
### LOAD CHAIN

Chain should feed smoothly into and away from the hoist. If chain binds, jumps or is noisy, first clean and lubricate it (See Page 7). If trouble persists, inspect chain and mating parts for wear, distortion or other damage.

# MAINTENANCE (CONTINUED)

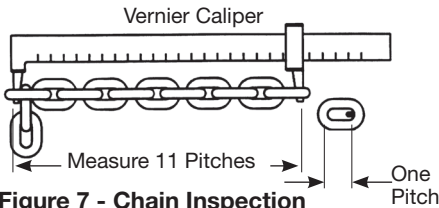
## CHAIN INSPECTION

First clean chain with a non-caustic/nonacid type solvent and make a link by link inspection for nicks, gouges, twisted links, weld spatter, corrosion pits, striations (minute parallel lines), cracks in weld areas, wear and stretching. Chain with any one of these defects must be replaced.



**Figure 6 - Chain Inspection**

Slack the portion of the chain that normally passes over the liftwheel. Examine the interlink area for the point of maximum wear (polishing). Measure and record the stock diameter at this point of the link. Then measure stock diameter in the same area on the link that does not pass over the liftwheel (use the link adjacent to the chain stop for this purpose). Compare these two measurements. If the stock diameter of the worn link is 0.010 inches (0.254mm), or more, less than the stock diameter of the unworn link, the chain must be replaced.



**Figure 7 - Chain Inspection**

Also check chain for stretch using a vernier caliper as shown in Figure 7. Select an unused, unstretched section of chain (usually at the loose end) and measure and record the length over 11 chain links (pitches). Measure and record the same length on a worn section of chain.

If the result (amount of stretch and wear) is greater than 0.145 inch (3.7 mm), the chain must be replaced.

Use only a “Knife-Edge” caliper to eliminate possibility of false reading by not measuring full pitch length.

## **WARNING**

Using other than CM Bandit supplied load chain may cause the chain to jam in the hoist and/or allow the chain to break and the load to drop.

### TO AVOID INJURY:

Due to size requirements and physical properties, use only CM Bandit supplied load chain in the CM Bandit lever hoist.

Note that worn chain can be an indication of worn hoist components. For this reason, the hoist’s frame, stripper, and liftwheel should be examined for wear and replaced as necessary when replacing worn chain (See DISASSEMBLY and ASSEMBLY).

Also, the load chain is specially heat treated and hardened and should never be repaired.

**IMPORTANT:** Do not use replaced chain for other purposes such as lifting or pulling. Load chain may break suddenly without visual deformation. For this reason, cut replaced chain into short lengths to prevent use after disposal.

## CHAIN LUBRICATION

A small amount of lubricant will greatly increase the life of load chain. Do not allow the chain to run dry. Keep it clean and lubricate at regular intervals with Lubriplate® Bar and Chain Oil 10-R (Fiske Bros. Refining Co.) or equal lubricant. Normally, weekly lubrication and cleaning is satisfactory, but under hot and dirty conditions, it may be necessary to clean the chain at least once a day and lubricate it several times between cleanings.

## **WARNING**

Used motor oils contain known carcinogenic materials.

### TO AVOID INJURY:

Never use used motor oils as a chain lubricant. Only use Lubriplate® Bar and Chain Oil 10-R as a lubricant for the load chain.

When lubricating the chain, apply sufficient lubricant to obtain natural run-off and full coverage, especially in the interlink area.

Hoist normally requires no additional lubrication except when it has been disassembled for cleaning or repairs.

**IMPORTANT:** Brake is designed to operate dry. Do not use any grease or lubricant on the braking surfaces.

When lubricating parts adjacent to the brake, do not use an excessive amount of lubricant which could seep onto the brake surfaces.

## **WARNING**

Using any grease or lubricant on the braking surfaces will cause brake slippage and loss of load control which may result in injury and/or property damage.

### TO AVOID INJURY:

Do not use any grease or lubricant on braking surfaces. The brake is designed to operate dry.

When the hoist is disassembled for cleaning or repairs, the following locations should be lubricated with approximately 1 fl. oz. per hoist of Molykote BR-2-S (Dow Corning), Molytex #2 (Texaco) or TopMoly (Topsall) grease or equal lubricant: gears, liftwheel bushings, exterior of pinion shaft, surfaces of frame bushings and surface of gear cover bushings. Be sure to thoroughly clean the old grease from these parts before re-lubricating.

**IMPORTANT:** To insure long life and top performance, be sure to lubricate the various parts of the hoist using the lubricants specified above. If desired, these lubricants can be purchased from Columbus McKinnon (See Figure 13, page 10).



# MAINTENANCE (CONTINUED)

## DISASSEMBLY AND ASSEMBLY

The parts illustration and list on pages 13 and 19 show the general arrangement and name of the parts of the CM Bandit lever hoist. These should be used when disassembling and re-assembling the units so that all parts are properly installed.

### DISASSEMBLY

To replace the liftwheel or stripper, completely disassemble the unit: remove the chain (See REPLACING LOAD CHAIN, page 9) and then remove the following: Cotter Pin (26), Castle Nut (36), Twisting Spring Housing (20), Twisting Spring (19), Hand Wheel (18), Twisting Spring (17), Hex Head Cap Screw (27), M6 (0.75 & 1.5 tonne) or M8 (3 & 6 tonne) Hex Nuts (23), Lever Handle Assembly (15), Cam (16), Change Over Gear or Overload Assembly (14 or 14L), M8 Lock Nuts (25), Brake Cover Assembly (13), Ratchet Disc Assembly (12), Disc Hub (11), Lever Side Plate Assembly (8), Guides (6), Stripper (7) On the gear side, remove the following: M8 Lock Nut (25), Gear Case Assembly (1), Spur Gear Assembly (34 or 35), Drive Shaft (2), Drive Shaft Washer (22), Load Gear (3 for 0.75 & 1.5 tonne; 35 for 3 & 6 tonne), Top Hook Shaft (21), Upper Hook Assembly (33).

### ASSEMBLY

Prior to re-assembly, check all parts for excessive wear, cracks and distortion. Replace parts as necessary and then re-assemble the unit in reverse to the order given above.

### FREE CHAIN ASSEMBLY

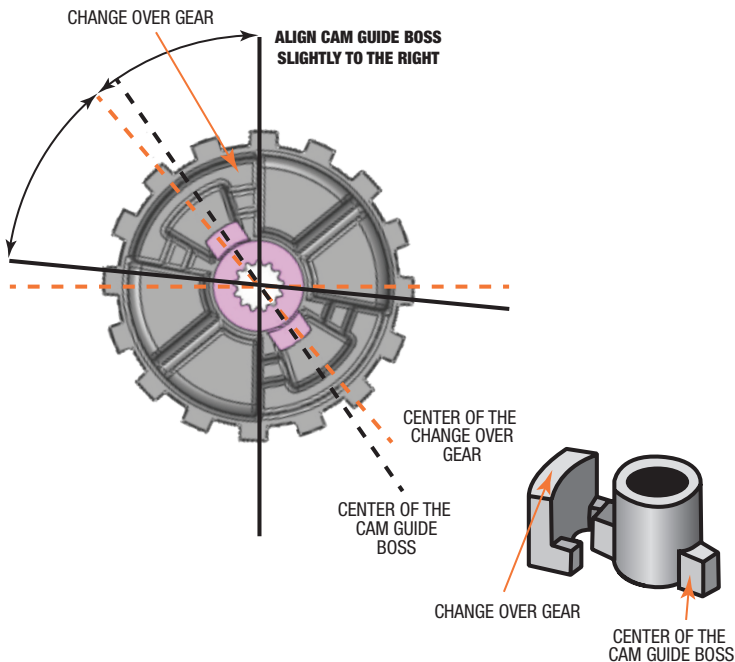
#### NOTICE:

To ensure proper function of the hoist brake and free chain systems, perform the following steps prior to starting STEP 1.

- Set direction lever to "N" position.
- Turn (14/14L) Change Over Gear clockwise to insure the Change Over Gear has engaged the brake disc. Complete this step while holding the chain strand with lower hook attached.
- A "clicking" sound will be heard if the load side of the chain is not held with sufficient force.
- After tightening (14/14L) Change Over Gear, make sure the Change Over Gear will not rotate in the counterclockwise direction.

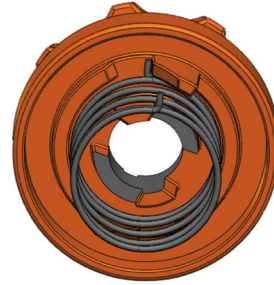
#### STEP 1: INSTALL CAM

- Attach (16) Cam to (2) Drive Shaft by aligning Cam inside (14/14L) Change Over Gear as shown in figure below.

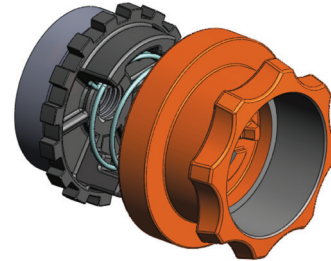


#### STEP 2: INSTALL FREE CHAIN KNOB

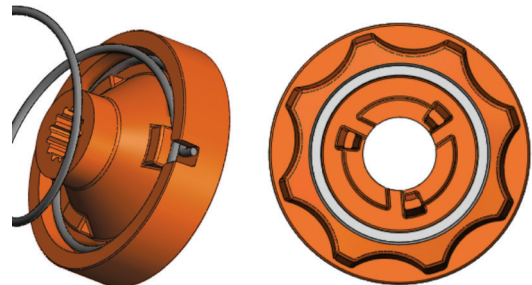
- Set (17) Twisting Spring into slot located on the back of (18) Hand Wheel. Rotate (17) Twisting Spring until spring tab is next to rib on (18) Hand Wheel as shown.



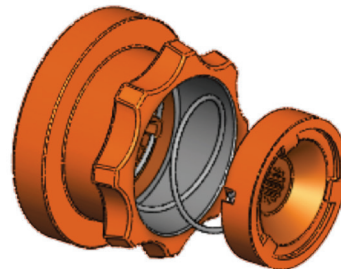
- Fit opposite end of (17) Twisting Spring next to the boss on (14/14L) Change Over Gear as shown below.



- While holding the load chain, rotate (18) Hand Wheel 120° clockwise while simultaneously pressing the (18) Hand Wheel toward hoist body. As (18) Hand Wheel rotates, (16) Cam will locate inside the slots of the (18) Hand Wheel.
- Set direction lever to either the "UP" or "DOWN" direction to temporarily secure (18) Hand Wheel.
- Place outward-projecting end of (19) Twisting Spring into slot located on the back of (20) Twisting Spring Housing. Hook the other end (inward-projecting tab) of (19) Twisting Spring into one of the three slots located inside (18) Hand Wheel as shown below.



- Rotate (20) Twisting Spring Housing 120° counterclockwise while simultaneously pressing inward toward hoist body. Align splines of (20) Twisting Spring Housing with mating splines on (2) Drive Shaft.



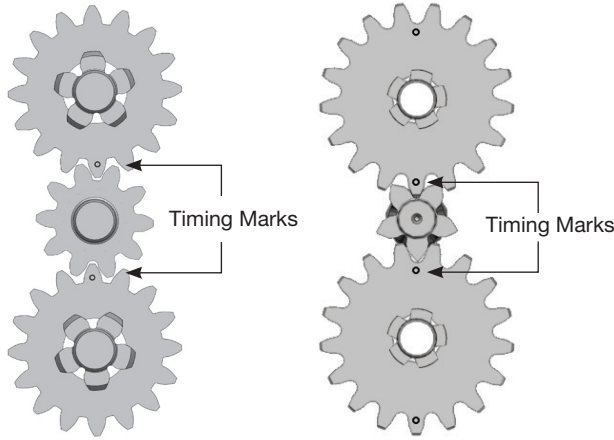
- Install (36) Castle Nut and (26) Cotter Pin
- Set direction control lever to the "N" position and pull (18) Hand Wheel out to engage the free chain mechanism. Pull load chain through hoist to ensure correct performance.

# MAINTENANCE (CONTINUED)

ENGLISH

## GEAR TIMING

When assembling gears, they must be orientated with the timing marks orientated as shown. (use figure "Gear Timing") Note: For 1.5 tonne units, orientation of pinion/gear assemblies A and B are not relevant providing the timing marks are orientated as shown and one of each (A & B) assembly is present.

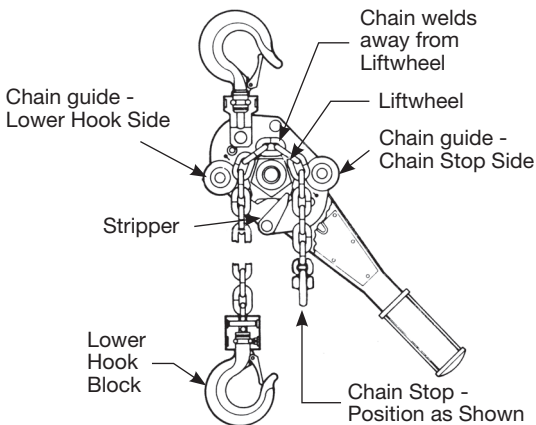


**Figure 10 - Gear Timing (0.75 and 1.5 Tonne)**

**Figure 11 - Gear Timing (3 and 6 Tonne)**

## REPLACING LOAD CHAIN

To replace the load chain, remove the lower hook block and chain stop from the chain. Move the directional lever to the neutral "N" and pull the old chain out of the hoist. Feed a length of soft wire through one side of the chain guide and over the liftwheel until it comes out on the other side of the chain guide. Attach the wire to the end of the new chain. Position the chain so that the first link to enter the chain guide will be an upstanding link and the welds on all upstanding links will be away from the liftwheel. Pull on the wire until the chain engages the liftwheel. Turn the free chaining knob, while pulling on the wire, until the chain comes out of the chain guide. Pull the chain through and remove the wire. Attach the lower hook block to the chain that is directly below the upper hook.



**Chain Installation**

## OPTIONAL LOAD LIMITER

The Bandit lever hoist has an optional load limiter. The load limiter is a device that is designed and calibrated to prevent excessive overloads. Excessive overload is indicated by lever movement without the corresponding movement of the lower hook block or load when the unit is operated in the "Up" direction. Should overload be evident, immediately switch the lever to "down" position and operate the lever to remove the excess load from the units. The reduction of the load to the rated capacity or less will result in automatic restoration to the normal operation of the unit.

## CAUTION

The load limiter is subject to overheating and wear when excessively actuated. For this reason, once overloading is detected, the excess load must be removed and normal operation restored without continued undue operation.

The Load Limiter is designed to operate dry, without lubrication. To ensure proper operation, do NOT apply lubricant to the friction surfaces or to adjacent parts of the load limiter.

## TESTING

During the periodic inspection, we recommended to test the load limiter. To perform this test, attach the lower hook to a load of maximum 200% of rated capacity and operate the unit in the "Up" direction. When attempting to lift the load, the lever should slip. After this test, move the trigger to the down position and operate the unit to remove the tension from the units. Once tension is released, the unit should return to normal operation. If the load does not slip @ 200% of capacity, the load limiter needs to be replaced.

## RECOMMENDED SPARE PARTS

- Ratchet Disc Assembly
- Latch Kit
- Upper & Lower Hook Assembly

## **WARNING**

Alterations or modifications of equipment and use of any parts other than CM Bandit lever hoist repair parts can lead to dangerous operation and injury.

### TO AVOID INJURY:

Do not alter or modify equipment. Do use only CM Bandit provided replacement parts.

## MAINTENANCE (CONTINUED)

### PREVENTATIVE MAINTENANCE

In addition to the inspection procedures, a preventative maintenance program should be established to prolong the useful life of the hoist and maintain its dependability and continued safe use. The program should include the periodic inspections with particular attention being paid to the lubrication of various components using the recommended lubricants (See Figure 13).

### TESTING

Prior to initial use, all repaired or used hoists that have not been operated for the previous 12 months shall be tested by the user for proper operation. Test the unit first in the unloaded state and then with a light load of 100 pounds (45 kg.) times the number of load supporting parts of load chain to be sure it operates properly and the brake holds the load when the lever is released; then test with a load of 125% of rated capacity.

In addition, hoists in which load sustaining parts have been replaced must be tested with 125% of rated capacity by or under the direction of a designated person and a written report prepared for record purposes.

**NOTE:** For additional information on Inspection and Testing refer to ASME B30.21 "Manually Lever Operated Hoists" obtainable from ASME Order Department, 22 Law Drive, Box 2300, Fairfield, NJ 07007-2300, U.S.A.

INSPECTOR'S REPORT			
ITEM	REMARKS (LIST DEFICIENCIES AND RECOMMENDED ACTION)		
Inspector's Signature	Date Inspected	Approved by	Date

Figure 12 - Recommended Inspector's Report

RECOMMENDED LUBRICATION SCHEDULE* BANDIT HAND OPERATED LEVER HOISTS						
REFERENCE NO. (SEE PAGES 11&12)	COMPONENT	TYPE OF LUBRICANT	ORDER PART NO.	TYPE OF SERVICE AND FREQUENCY OF LUBRICATION		
32	Load Chain	Oil (See page 7)	28619 (1 gal. can)	HEAVY	NORMAL	INFREQUENT
				Daily	Weekly	Monthly
5, 1, 8, 24 & 7	Gears, Bushings, Lift-wheel bushings & Pinion shaft	Grease (See page 7)	28618 (1 lb. can)	When hoist is disassembled for cleaning or repairs		

(\* This lubrication schedule is based on a hoist operating in normal environment conditions. Hoists operating in adverse atmospheres containing excessive heat, corrosive fumes or vapors, abrasive dust, etc., should be lubricated more frequently.

Figure 13 - Recommended Lubrication Schedule

# MAINTENANCE (CONTINUED)

ENGLISH

## INSPECTION AND MAINTENANCE CHECK LIST HAND OPERATED LEVER HOIST

Type of Hoist \_\_\_\_\_ Capacity (Tons) \_\_\_\_\_  
 Location \_\_\_\_\_ Original Installation Date \_\_\_\_\_  
 Manufacturer \_\_\_\_\_ Manufacturer's Serial No. \_\_\_\_\_

Item	Frequency of Inspection		Possible Deficiencies	OK	Action Required
	Frequent	Periodic			
	Daily	Every 3 Months to Annually as defined per ASME B30.21			
Brake Mechanism	*	*	Slippage or excessive drift. Worn, glazed or contaminated friction discs. Thickness of brake ratchet assembly less than 7mm		
Directional Lever	*	*	Binding and does not move freely.		
Load Chain	*	*	Inadequate lubrication, excessive wear or stretch, cracked damaged or twisted links, corroded or clogged with foreign material.		
Hooks	*	*	Excessive throat opening, twisted, damaged or non-operating hook latch, chemical damage. Cracks (Use dye penetrant, magnetic or other suitable detection method at least once a year).		
Lower Hook Block, Upper Hook Block, Upper Hook Pin, Chain Guide, Bushings, Gears, Pinion and Friction Hub		*	Cracks, distortion, excessive wear, corrosion or build-up of foreign material.		
Tip of Pawls and Lever Pawl Teeth of Ratchet and Lever Ratchet		*	Cracks, distortion, excessive wear, corrosion or build-up of foreign material.		
Pockets of Liftwheel, Stripper and Side Plates		*	Cracks, distortion, excessive wear, corrosion or build-up of foreign material.		
Nuts, Bolts, Pins and Rivets		*	Cracks, bending, loose, stripped threads.		
Pawl Springs, Directional Pawl Spring, and Spring		*	Corrosion, stretched or broken.		
Chain Stop		*	Missing, cracked, not secured to chain, not properly positioned.		
Nameplate, Warning Labels and Free Chaining		*	Missing, Damaged or illegible.		

**NOTE:** Refer to Maintenance and Inspection Sections of this manual for further details.

### FREQUENCY OF INSPECTION

**Frequent** - Indicates items requiring inspection daily or before each use. These inspections may be performed by the operator if properly designated.

**Periodic** - Indicates items requiring inspection every three months. Inspections to be performed by or under the direction of a properly designated person. The exact period of inspection will depend on frequency and type of usage. Determination of this period will be based on the user's experience. It is recommended that the user begin with a quarterly inspection and extend the periods to semi-annually or annually based on the user's quarterly experience.

**NOTE:** This inspection and maintenance check list is in accordance with our interpretation of the requirements of the Safety Standard for Lever Hoists ASME B30.21. It is, however, the ultimate responsibility of the employer/user to interpret and adhere to the applicable requirements of this safety standard.

**Figure 14 – Recommended Inspection and Maintenance Check List**

# TROUBLESHOOTING CHART

Symptom	Possible Cause(s)	Corrective Action
Hoist is hard to operate in either direction.	<ol style="list-style-type: none"> <li>1. Load chain worn long to gauge, thus binding between liftwheel and chain guide.</li> <li>2. Load chain rusty, corroded or clogged with foreign matter such as cement or mud.</li> <li>3. Bushings clogged with matter such as cement or dust.</li> <li>4. Lever binding.</li> <li>5. Brake parts corroded or clogged with foreign matter.</li> <li>6. Liftwheel pockets clogged with foreign matter or worn excessively causing chain to bind between liftwheel and chain guide.</li> <li>7. Liftwheel twisted or bent - gear teeth bent.</li> </ol>	<ol style="list-style-type: none"> <li>1. Check chain, (See page 7) and replace if worn excessively.</li> <li>2. Clean chain by tumble polishing or using a non-acid or non-caustic type solvent. Check chain for gouges, damaged or bent links. Lubricate with Lubriplate® Bar and Chain Oil 10-R (Fiske Bros. Refining Co.) or equal lubricant.</li> <li>3. Disassemble and clean liftwheel bushings and bushings in gear cover and side plate (gear side). Any parts worn excessively should be replaced.</li> <li>4. Clean by removing any foreign matter which may be between the lever and the brake cover.</li> <li>5. Disassemble brake and clean thoroughly (by wiping with a cloth - not by washing in a solvent). Replace ratchet assembly if too gummy, worn or scored. Keep brake surfaces clean and dry.</li> <li>6. Clean out pockets and use if not worn excessively. Replace liftwheel if pockets are worn.</li> <li>7. Excessive overload had been applied. Replace damaged parts.</li> </ol>
Hoist is hard to operate in down direction.	<ol style="list-style-type: none"> <li>1. Brake parts corroded or clogged with foreign matter.</li> <li>2. Chain binding.</li> </ol>	<ol style="list-style-type: none"> <li>1. Disassemble brake and clean thoroughly (by wiping with a cloth - not by washing in a solvent). Replace ratchet assembly if too gummy, worn or scored. Keep brake surfaces clean and dry.</li> <li>2. Check chain, (See page 7) and replace if worn excessively. Clean chain by tumble polishing or using a non-acid or non-caustic type solvent. Check chain for gouges, damaged or bent links. Lubricate with Lubriplate® Bar and Chain Oil 10-R (Fiske Bros. Refining Co.) or equal lubricant.</li> </ol>
Hoist is hard to operate in up direction.	<ol style="list-style-type: none"> <li>1. Chain binding.</li> <li>2. Overload.</li> </ol>	<ol style="list-style-type: none"> <li>1. Check chain, (See page 7) and replace if worn excessively. Clean chain by tumble polishing or using a non-acid or non-caustic type solvent. Check chain for gouges, damaged or bent links. Lubricate with Lubriplate® Bar and Chain Oil 10-R (Fiske Bros. Refining Co.) or equal lubricant.</li> <li>2. Reduce load or use correct capacity unit.</li> </ol>

# CM BANDIT HAND OPERATED LEVER HOIST 0.75 AND 1.5 TONNE

## REPAIR PARTS LIST

Please provide the following information:

- Model number
- Serial number
- Part description and number as shown in parts list

Part Number	Item Number	Description	Quantity
<b>BAN-0001</b>		<b>GEAR KIT 0.75 TONNE</b>	
-	34	Spur Gear Assembly	2
-	2	Drive Shaft	1
-	22	Drive Shaft Washer	1
-	26	Cotter Pin	1
<b>BAN-0002</b>		<b>GEAR KIT 1.5 TONNE</b>	
-	35	Spur Gear Assembly	1
-	34	Spur Gear Assembly	1
-	2	Drive Shaft	1
-	22	Drive Shaft Washer	1
-	26	Cotter Pin	1
<b>BAN-0010</b>		<b>LOAD SHEAVE &amp; GEAR KIT 0.75 TONNE</b>	
-	5	Load Sheave	1
-	22	Drive Shaft Washer	1
-	26	Cotter Pin	1
<b>BAN-0011</b>		<b>LOAD SHEAVE &amp; GEAR KIT 1.5 TONNE</b>	
-	5	Load Sheave	1
-	22	Drive Shaft Washer	1
-	26	Cotter Pin	1
<b>BAN-0020</b>		<b>SIDE PLATE KIT 0.75 TONNE</b>	
-	4	Gear Side Plate Assembly	1
-	25	M8 Lock Nut	8
-	8	Lever Side Plate Assembly	1
-	26	Cotter Pin	1
<b>BAN-0021</b>		<b>SIDE PLATE KIT 1.5 TONNE</b>	
-	4	Gear Side Plate Assembly	1
-	25	M8 Lock Nut	8
-	8	Lever Side Plate Assembly	1
-	26	Cotter Pin	1
<b>BAN-0030</b>		<b>STRIPPER KIT 0.75 TONNE</b>	
-	6	Guide	2
-	7	Stripper	1
-	26	Cotter Pin	1
<b>BAN-0031</b>		<b>STRIPPER KIT 1.5 TONNE</b>	
-	6	Guide	2
-	7	Stripper	1
-	26	Cotter Pin	1
<b>BAN-0040</b>		<b>CAM GEAR KIT 0.75 &amp; 1.5 TONNE</b>	
-	16	Cam	1
-	14	Change Over Gear	1
-	26	Cotter Pin	1
<b>BAN-0041</b>		<b>OVERLOAD LIMITER KIT 0.75 TONNE</b>	
-	16	Cam	1
-	14L	Overload Limiter	1
-	26	Cotter Pin	1
<b>BAN-0042</b>		<b>OVERLOAD LIMITER KIT 1.5 TONNE</b>	
-	16	Cam	1
-	14L	Overload Limiter	1
-	26	Cotter Pin	1
<b>BAN-0050</b>		<b>HANDLE KIT 0.75 TONNE</b>	
-	15	Lever Handle Assembly	1
-	24	M6 Lock Washer	1
-	23	M6 Hex Nut	2
-	27	Hex Head Cap Screw	1
-	26	Cotter Pin	1
<b>BAN-0051</b>		<b>HANDLE KIT 1.5 TONNE</b>	
-	15	Lever Handle Assembly	1

# CM BANDIT HAND OPERATED LEVER HOIST 0.75 AND 1.5 TONNE

## REPAIR PARTS LIST (Continued)

Part Number	Item Number	Description	Quantity
-	24	M6 Lock Washer	1
-	23	M6 Hex Nut	2
-	27	Hex Head Cap Screw	1
-	26	Cotter Pin	1
<b>BAN-0060</b>		<b>SPRING KIT 0.75 &amp; 1.5 TONNE</b>	
-	17	Twisting Spring	1
-	19	Twisting Spring	1
-	26	Cotter Pin	1
<b>BAN-0070</b>		<b>RATCHET KIT 0.75 &amp; 1.5 TONNE</b>	
-	11	Disc Hub	1
-	12	Ratchet Disc Assembly	1
-	26	Cotter Pin	1
<b>BAN-0080</b>		<b>BRAKE COVER KIT 0.75 TONNE</b>	
-	25	M8 Locknut	4
-	13	Brake cover Assembly	1
-	23	M6 Hex Nut	2
-	24	M6 Lock Washer	1
-	27	Hex Head Cap Screw	1
-	26	Cotter Pin	1
<b>BAN-0081</b>		<b>BRAKE COVER KIT 1.5 TONNE</b>	
-	25	M8 Locknut	4
-	13	Brake cover Assembly	1
-	23	M6 Hex Nut	2
-	24	M6 Lock Washer	1
-	27	Hex Head Cap Screw	1
-	26	Cotter Pin	1
<b>BAN-0082</b>		<b>GEAR COVER KIT 0.75 TONNE</b>	
-	25	M8 Locknut	4
-	1	Gear Case Assembly	1
-	26	Cotter Pin	1
<b>BAN-0083</b>		<b>GEAR COVER KIT 1.5 TONNE</b>	
-	25	M8 Locknut	4
-	1	Gear Case Assembly	1
-	26	Cotter Pin	1
<b>BAN-0090</b>		<b>HARDWARE KIT 0.75 TONNE</b>	
-	31	Lock Ring	1
-	32	Lock Ring Screw	1
-	23	M6 Hex Nut	1
-	26	Cotter Pin	1
<b>BAN-0091</b>		<b>HARDWARE KIT 1.5 TONNE</b>	
-	31	Lock Ring	1
-	32	Lock Ring Screw	1
-	25	M8 Hex Nut	1
-	26	Cotter Pin	1
<b>BAN-0100</b>		<b>PAWL KIT 0.75 &amp; 1.5 TONNE</b>	
-	9	Pawl Spring	2
-	10	Pawl	2
-	30	9mm Snap Ring	2
-	26	Cotter Pin	1
<b>BAN-0110</b>		<b>SPRING HOUSING KIT 0.75 AND 1.5 TONNE</b>	
-	17	Twisting Spring	1
-	18	Hand Wheel	1
-	19	Twisting Spring	1
-	20	Twisting Spring Housing	1
-	36	Castle Nut	1
-	26	Cotter Pin	1
<b>BAN-0120</b>		<b>UPPER HOOK ASSEMBLY KIT 0.75 TONNE - MADE IN USA</b>	
-	33	0.75 Hook	1
-	-	0.75 Upper Suspension	2
-	-	Latch Kit	1
-	-	Hook Block Bolt	2

# CM BANDIT HAND OPERATED LEVER HOIST 0.75 AND 1.5 TONNE

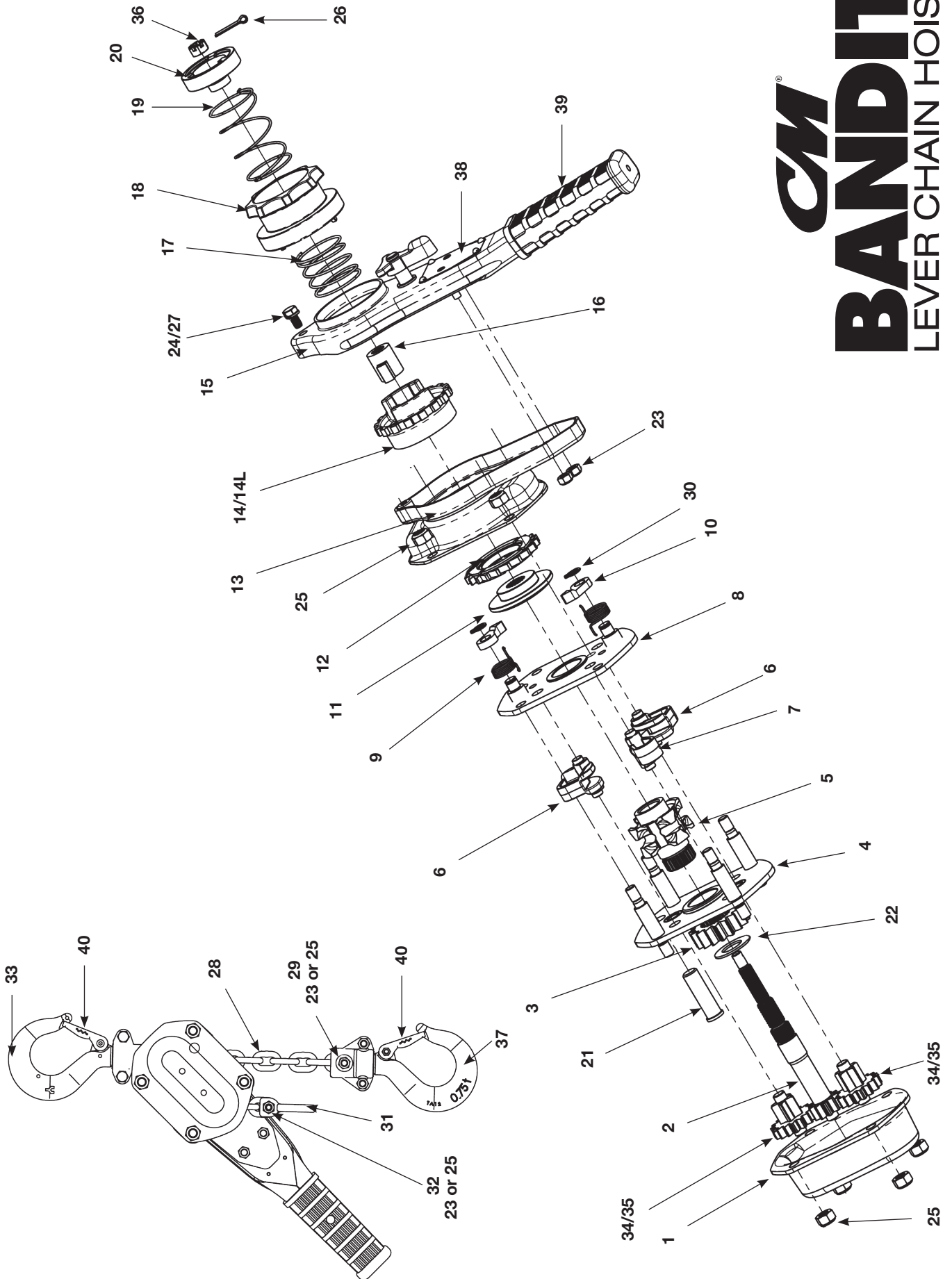
## REPAIR PARTS LIST (Continued)

ENGLISH

Part Number	Item Number	Description	Quantity
-	-	M6 Hex Nut	2
<b>BAN-0120C</b>		<b>UPPER HOOK ASSEMBLY KIT 0.75 TONNE</b>	
-	33	0.75 Hook	1
-	-	0.75 Upper Suspension	2
-	-	Latch Kit	1
-	-	Hook Block Bolt	2
-	-	M6 Hex Nut	2
<b>BAN-0121</b>		<b>UPPER HOOK ASSEMBLY KIT 1.5 TONNE - MADE IN USA</b>	
-	33	1.5 Hook	1
-	-	1.5 Upper Suspension	2
-	-	Latch Kit	1
-	-	Hook Block Bolt	2
-	-	M6 Hex Nut	2
<b>BAN-0121C</b>		<b>UPPER HOOK ASSEMBLY KIT 1.5 TONNE</b>	
-	33	1.5 Hook	1
-	-	1.5 Upper Suspension	2
-	-	Latch Kit	1
-	-	Hook Block Bolt	2
-	-	M6 Hex Nut	2
<b>BAN-0130</b>		<b>LOWER HOOK ASSEMBLY KIT 0.75 TONNE - MADE IN USA</b>	
-	37	0.75 Hook	1
-	-	0.75 Lower Hook Block	2
-	-	Latch Kit	1
-	-	Hook Block Bolt	2
-	29	Lower Hook Chain Bolt	1
-	-	M6 Hex Nut	2
<b>BAN-0130C</b>		<b>LOWER HOOK ASSEMBLY KIT 0.75 TONNE</b>	
-	37	0.75 Hook	1
-	-	0.75 Lower Hook Block	2
-	-	Latch Kit	1
-	-	Hook Block Bolt	2
-	29	Lower Hook Chain Bolt	1
-	-	M6 Hex Nut	2
<b>BAN-0131</b>		<b>LOWER HOOK ASSEMBLY KIT 1.5 TONNE - MADE IN USA</b>	
-	37	1.5T Lower Hook Block	2
-	-	1.5T Hook	1
-	-	Latch Kit	1
-	-	Hook Block Bolt	2
-	29	Lower Hook Chain Bolt	1
-	-	M6 Hex Nut	2
<b>BAN-0131C</b>		<b>LOWER HOOK ASSEMBLY KIT 1.5 TONNE</b>	
-	37	1.5T Lower Hook Block	2
-	-	1.5T Hook	1
-	-	Latch Kit	1
-	-	Hook Block Bolt	2
-	29	Lower Hook Chain Bolt	1
-	-	M6 Hex Nut	2
<b>BAN-0140</b>		<b>HAND GRIP REPLACEMENT KIT 0.75 TONNE</b>	
-	39	0.75T Hand Grip (includes Screw and Nut)	1
-	-	Glue	1
<b>BAN-0141</b>		<b>HAND GRIP REPLACEMENT KIT 1.5 TONNE</b>	
-	39	1.5T Hand Grip (includes Screw and Nut)	1
-	-	Glue	1
<b>T56Z</b>	<b>28</b>	<b>LOAD CHAIN 0.75 TONNE</b>	-
<b>85961Z</b>	<b>28</b>	<b>LOAD CHAIN 1.5 TONNE</b>	-
<b>00002034</b>	<b>21</b>	<b>TOP HOOK SHAFT 0.75 TONNE</b>	<b>1</b>
<b>00002137</b>	<b>21</b>	<b>TOP HOOK SHAFT 1.5 TONNE</b>	<b>1</b>
<b>53850</b>	<b>40</b>	<b>LATCH KIT 0.75 TONNE</b>	<b>1</b>
<b>53821</b>	<b>40</b>	<b>LATCH KIT 1.5 TONNE</b>	<b>1</b>
<b>00002027</b>	<b>15</b>	<b>LEVER HANDLE ASSEMBLY 0.75 TONNE</b>	<b>1</b>
<b>00002130</b>	<b>15</b>	<b>LEVER HANDLE ASSEMBLY 1.5 TONNE</b>	<b>1</b>



**PARTS DIAGRAM 0.75 AND 1.5 TONNE**



**CM**  
**BANDIT**<sup>TM</sup>  
 LEVER CHAIN HOIST

ENGLISH

# CM BANDIT HAND OPERATED LEVER HOIST 3 AND 6 TONNE

## REPAIR PARTS LIST

Please provide the following information:

- Model number
- Serial number
- Part description and number as shown in parts list

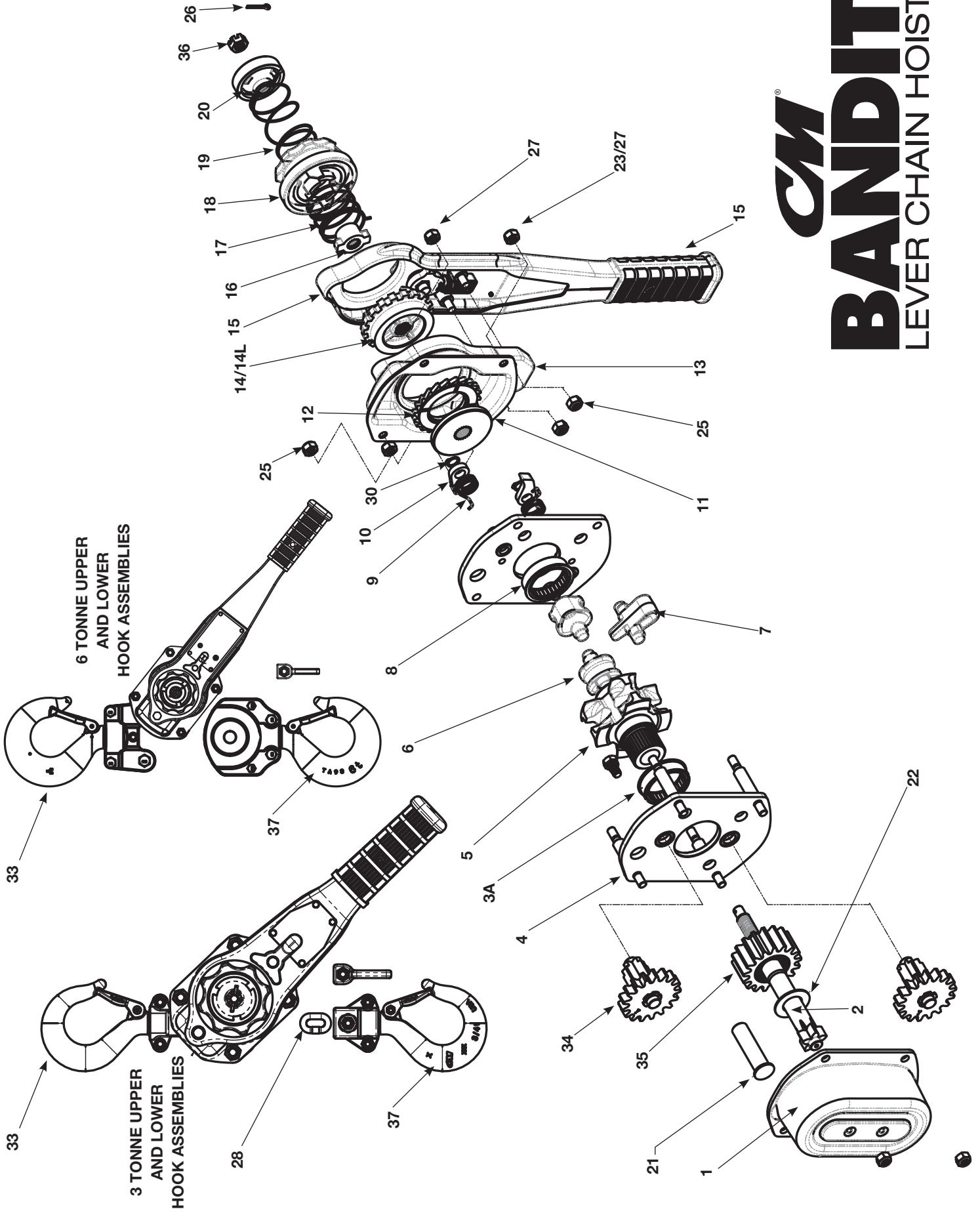
Part Number	Item Number	Description	Quantity
<b>BAN-0003</b>		<b>GEAR KIT 3 &amp; 6 TONNE</b>	
-	35	Load Gear	1
-	34	Spur Gear Assembly	2
-	2	Drive Shaft	1
-	22	Drive Shaft Washer	1
-	26	Cotter Pin	1
<b>BAN-0012</b>		<b>LOAD SHEAVE KIT 3 &amp; 6 TONNE</b>	
-	5	Load Sheave	1
-	3A	Load Gear Bearing	2
-	26	Cotter Pin	1
<b>BAN-0022</b>		<b>SIDE PLATE KIT 3 &amp; 6 TONNE</b>	
-	4	Gear Side Plate Assembly	1
-	25	M8 Lock Nut	8
-	8	Lever Side Plate Assembly	1
-	26	Cotter Pin	1
<b>BAN-0032</b>		<b>STRIPPER KIT 3 &amp; 6 TONNE</b>	
-	6	Guide	2
-	7	Stripper	1
-	26	Cotter Pin	1
<b>BAN-0043</b>		<b>CAM GEAR KIT 3 &amp; 6 TONNE</b>	
-	16	Cam	1
-	14	Change Over Gear	1
-	26	Cotter Pin	1
<b>BAN-0044</b>		<b>LOAD LIMITER KIT 3 &amp; 6 TONNE</b>	
-	16	Cam	1
-	14L	Overload Limiter	1
-	26	Cotter Pin	1
<b>BAN-0052</b>		<b>HANDLE KIT 3 &amp; 6 TONNE</b>	
-	15	Lever Handle Assembly	1
-	24	M6 Lock Washer	1
-	23	M8 Hex Nut	2
-	27	Hex Head Cap Screw	1
-	26	Cotter Pin	1
<b>BAN-0061</b>		<b>SPRING KIT 3 &amp; 6 TONNE</b>	
-	17	Twisting Spring	1
-	19	Twisting Spring	1
-	26	Cotter Pin	1
<b>BAN-0071</b>		<b>RATCHET KIT 3 &amp; 6 TONNE</b>	
-	11	Disc Hub	1
-	12	Ratchet Disc Assembly	1
-	26	Cotter Pin	1
<b>BAN-0084</b>		<b>BRAKE COVER KIT 3 &amp; 6 TONNE</b>	
-	25	M8 Locknut	4
-	13	Brake cover Assembly	1
-	24	M6 Lock Washer	1
-	23	M8 Hex Nut	2
-	27	Hex Head Cap Screw	1
-	26	Cotter Pin	1
<b>BAN-0085</b>		<b>GEAR COVER KIT 3 &amp; 6 TONNE</b>	
-	25	M8 Locknut	10
-	1	Gear Case Assembly	1
-	26	Cotter Pin	1

# CM BANDIT HAND OPERATED LEVER HOIST 3 AND 6 TONNE

## REPAIR PARTS LIST (Continued)

Part Number	Item Number	Description	Quantity
<b>BAN-0092</b>		<b>HARDWARE KIT 3 &amp; 6 TONNE</b>	
-	31	Lock Ring	1
-	32	Lock Ring Screw	1
-	-	M10 Locknut	1
-	26	Cotter Pin	1
<b>BAN-0101</b>		<b>PAWL KIT 3 &amp; 6 TONNE</b>	
-	9	Pawl Spring	2
-	10	Pawl	2
-	30	9mm Snap Ring	2
-	26	Cotter Pin	1
<b>BAN-0111</b>		<b>SPRING HOOK KIT 3 &amp; 6 TONNE</b>	
-	17	Twisting Spring	1
-	18	Hand Wheel	1
-	19	Twisting Spring	1
-	20	Twisting Spring Housing	1
-	36	Castle Nut	1
-	26	Cotter Pin	1
<b>BAN-0122</b>		<b>UPPER HOOK KIT 3 TONNE</b>	
-	33	Top Suspension Assembly	1
-	-	Upper Suspension	1
-	-	Latch Kit	1
-	-	Hook Block Bolt	1
-	-	M6 Hex Nut	1
<b>BAN-0123</b>		<b>UPPER HOOK KIT 6 TONNE</b>	
-	33	Top Suspension Assembly	1
-	-	Upper Suspension	1
-	-	Latch Kit	1
-	-	Hook Block Bolt	1
-	-	M6 Hex Nut	1
<b>BAN-0132</b>		<b>LOWER HOOK KIT 3 TONNE</b>	
-	37	Lower Hook Assembly	1
-	-	Hook	1
-	-	Latch Kit	1
-	-	Hook Block Bolt	1
-	29	Lower Hook Chain Bolt	1
-	-	M6 Hex Nut	1
<b>BAN-0133</b>		<b>LOWER HOOK KIT 6 TONNE</b>	
-	37	Lower Hook Assembly	1
-	-	Hook	1
-	-	Latch Kit	1
-	-	Hook Block Bolt	1
-	29	Lower Hook Chain Bolt	1
-	-	M6 Hex Nut	1
<b>BAN-0142</b>		<b>HAND GRIP REPLACEMENT KIT 3 &amp; 6 TONNE</b>	
-	15	3T & 6T Hand Grip (includes Screw and Nut)	1
-	-	Glue	1
<b>85394</b>	<b>28</b>	<b>LOAD CHAIN 3 &amp; 6 TONNE</b>	-
<b>00002331</b>	<b>21</b>	<b>TOP HOOK SHAFT 3 &amp; 6 TONNE</b>	<b>1</b>
<b>53822</b>	-	<b>LATCH KIT 3 TONNE</b>	<b>1</b>
<b>53940</b>	-	<b>LATCH KIT 6 TONNE</b>	<b>1</b>
<b>00002324</b>	<b>15</b>	<b>LEVER HANDLE ASSEMBLY</b>	<b>1</b>

PARTS DIAGRAM 3 AND 6 TONNE



**CM**<sup>®</sup>  
**BANDIT**<sup>™</sup>  
 LEVER CHAIN HOIST



# INFORMACIÓN DE GARANTÍA

## INDEMNIZACIÓN Y USO SEGURO

El comprador debe cumplir con las indicaciones descritas en las instrucciones y en los manuales proporcionados por el Vendedor y se preocupará de que sus empleados las cumplan y usen y actúen con un cuidado razonable al utilizar y mantener los productos. El Comprador no debe retirar ni permitir la retirada de ninguno de los signos de advertencia o instrucciones que aparecen en los productos. En el caso de que se produzcan daños personales o en la propiedad o negocio derivados del uso de los bienes, el Comprador deberá notificarlo por escrito al Vendedor en la 48 horas siguientes a la producción de dichos daños o lesiones. El Comprador deberá cooperar con el Vendedor en la investigación de tales daños o lesiones y en la defensa de cualquier reclamación resultante de las mismas.

Si el Comprador no cumple con esta sección o si se causa cualquier tipo de daño o lesión, en todo o en parte, por causa del incumplimiento de los requisitos de seguridad estatales o locales por parte del Comprador, el Comprador deberá indemnificar y mantener la inocencia del Vendedor contra cualquier reclamación, pérdida o gasto por lesiones o daños resultantes.

## GARANTÍA DE CMCO (POLIPASTOS)

- A. Columbus McKinnon Corporation (en adelante "el Vendedor") garantiza al usuario final original (en adelante "el Comprador") que: (a) durante la vida útil de los productos, los componentes mecánicos de los productos estarán libres de defectos de mano de obra y materiales.
- B. LA ÚNICA OBLIGACIÓN DEL VENDEDOR EN CASO DE INCUMPLIMIENTO DE TAL GARANTÍA ESTARÁ LIMITADA EXCLUSIVAMENTE, A OPCIÓN DEL VENDEDOR, A LA REPARACIÓN O EL REEMPLAZO, DESDE EL PUNTO DE ENVÍO DEL VENDEDOR, FOB, DE LOS PRODUCTOS QUE EL VENDEDOR DETERMINE QUE SON DEFECTUOSOS O BIEN, SI EL VENDEDOR DETERMINA QUE TALES REPARACIONES O CAMBIOS NO SON FACTIBLES, AL REINTEGRO DEL PRECIO DE COMPRA CUANDO EL COMPRADOR DEVUELVA LOS PRODUCTOS AL VENDEDOR. NO SERÁ VÁLIDA NI EXIGIBLE NINGUNA RECLAMACIÓN CONTRA EL VENDEDOR POR NINGÚN INCUMPLIMIENTO DE (i) TAL GARANTÍA CON RESPECTO A LOS COMPONENTES ELÉCTRICOS DE NINGÚN PRODUCTO A MENOS QUE EL VENDEDOR RECIBA NOTIFICACIÓN POR ESCRITO DEL COMPRADOR POR DICHO INCUMPLIMIENTO DENTRO DEL PLAZO DE UN (1) AÑO A PARTIR DE LA FECHA DE ENTREGA DEL VENDEDOR AL TRANSPORTISTA Y (ii) TAL GARANTÍA CON RESPECTO A LOS COMPONENTES MECÁNICOS DE NINGÚN PRODUCTO A MENOS QUE EL VENDEDOR RECIBA NOTIFICACIÓN POR ESCRITO DEL COMPRADOR POR DICHO INCUMPLIMIENTO DENTRO DEL PLAZO DE UN (1) AÑO A PARTIR DE LA FECHA EN QUE SE PRODUZCA LA CAUSA DE CUALQUIER SUPUESTA RECLAMACIÓN. CON EXCEPCIÓN DE LA GARANTÍA ARRIBA ESTABLECIDA, EL VENDEDOR NO OTORGA NINGUNA OTRA GARANTÍA CON RESPECTO A LOS PRODUCTOS, YA SEA EXPLÍCITA O IMPLÍCITA, INCLUIDAS LAS GARANTÍAS DE COMERCIABILIDAD, APTITUD PARA UN FIN PARTICULAR, CALIDAD Y/O QUELLAS QUE SURJAN CONFORME AL DERECHO O A LAS LEYES, O DE LOS TRATOS O LOS USOS COMERCIALES, TODAS LAS CUALES SE DECLINAN EN FORMA EXPRESA POR LA PRESENTE.
- C. EN NINGÚN CASO EL VENDEDOR SERÁ LEGALMENTE RESPONSABLE ANTE EL COMPRADOR O TERCEROS CON RESPECTO A NINGÚN PRODUCTO, YA SEA EN VIRTUD DE UN CONTRATO, AGRAVIO U OTRAS TEORÍAS LEGALES, DE LAS PÉRDIDAS DE GANANCIAS O PÉRDIDAS DE USO, NI POR DAÑOS Y PERJUICIOS INCIDENTALES, CONSECUENTES, ESPECIALES, DIRECTOS O INDIRECTOS, SEA CUAL SE LA RAZÓN QUE LOS CAUSE. LA MÁXIMA RESPONSABILIDAD DEL VENDEDOR ANTE EL COMPRADOR NO EXCEDERÁ EN NINGÚN CASO EL PRECIO PAGADO POR EL COMPRADOR POR LOS PRODUCTOS QUE SON OBJETO DE LA RECLAMACIÓN EN CUESTIÓN.
- D. El Vendedor no será legalmente responsable por ningún daño, lesión o pérdida que surja del uso de los productos si, antes de tal daño, lesión o pérdida, dichos productos: (1) se han dañado o usado indebidamente después de la entrega del Vendedor al transportista; (2) no se han mantenido, inspeccionado o usado de acuerdo con la ley aplicable, y las instrucciones y las recomendaciones por escrito del Vendedor o (3) se han instalado, reparado, alterado o modificado sin cumplir con dichas leyes, instrucciones o recomendaciones.
- E. Esta garantía es limitada y se otorga únicamente al usuario final original. Además de la garantía de por vida del polipasto, el freno del Bandit dispone de una garantía de 3 años. Si los discos del freno del Bandit se desgastan dentro de un plazo de tres años a partir de la fecha de compra, Columbus McKinnon reemplazará el conjunto del disco del trinquete sin cargo. La reparación del freno debe realizarla un Centro de Servicio Autorizado de Bandit según lo indicado por Columbus McKinnon. Visite [www.cmworks.com](http://www.cmworks.com) para obtener una lista de las ubicaciones.
- F. El Comprador debe iniciar cualquier acción contra el Vendedor por incumplimiento de la garantía, negligencia u otra razón en relación con los componentes eléctricos de cualquier producto en un plazo de un (1) año a partir de: (a) la fecha en que se produzca la causa de cualquier supuesta reclamación o (b) la fecha de entrega de los productos al Comprador, según lo que ocurra primero. El Comprador debe iniciar cualquier acción contra el Vendedor por incumplimiento de la garantía, negligencia u otra razón en relación con los componentes mecánicos de cualquier producto en el plazo de un (1) año a partir de la fecha en que se produzca la causa de cualquier supuesta reclamación.

## LAS PIEZAS Y REPARACIONES DE LOS POLIPASTOS DE CM ESTÁN DISPONIBLES EN ESTADOS UNIDOS Y CANADÁ

Como usuario de un polipasto y carro de CM le aseguramos la disponibilidad de servicios fiables de reparación y piezas de repuesto a través de una red de almacenes de piezas de repuesto y centros de servicio situados estratégicamente en Estados Unidos y Canadá. Estas instalaciones se han seleccionado sobre la base de su capacidad demostrada en la reparación de equipos y suministro de piezas de repuesto de forma rápida y eficaz.

Para obtener la dirección del almacén de piezas de repuesto o del centro de servicio más cercano, llame al teléfono (800) 888-0985. Fax: (716) 689-5644 (sólo en Estados Unidos y Canadá).

*Nota: Cuando solicite piezas de repuesto indique siempre la carga nominal y el número de serie del polipasto para el que se vayan a utilizar las piezas.*

## **A ADVERTENCIA**

El uso incorrecto de un polipasto puede crear situaciones potencialmente peligrosas que, en caso de **no** evitarse, podrían causar graves daños personales e incluso la muerte. Para evitar dichas situaciones, el operario debe atenerse a las recomendaciones siguientes:

1. **NO** ponga en funcionamiento un polipasto que funcione incorrectamente o cuyo funcionamiento no sea el habitual.
2. **NO** ponga en funcionamiento el polipasto hasta que no haya leído con detenimiento y comprendido el presente manual.
3. **NO** ponga en funcionamiento un polipasto modificado sin la aprobación del fabricante o sin la certificación de que cumple con la normativa OSHA aplicable.
4. **NO** eleve ni arrastre más carga que la especificada para el polipasto.
5. **NO** utilice un polipasto dañado o que **no** funcione correctamente.
6. **NO** utilice el polipasto si la cadena de carga está desgastada, dañada, torcida o doblada.
7. **NO** use el polipasto con ningún alargador de la palanca.
8. **NO** intente liberar la cadena del polipasto mientras esté cargado.
9. **NO** utilice el polipasto para elevar, sostener ni transportar personas.
10. **NO** eleve carga por encima de personas y asegúrese que todo el personal se mantenga alejado de la carga.
11. **NO** intente alargar la cadena de carga ni repararla en caso de que esté dañada.
12. Proteja la cadena de carga de salpicaduras de soldadura o de otros contaminantes que puedan dañarla.
13. **NO** ponga en funcionamiento el polipasto cuando no sea posible establecer una línea recta entre ganchos en la dirección de la carga.
14. **NO** utilice la cadena de carga como si fuera una eslinga de carga ni la enrolle alrededor de la carga.
15. **NO** coloque todo el peso de la carga en la punta del gancho ni en el dispositivo de fijación del mismo.
16. **NO** coloque ningún tipo de carga hasta que la cadena de carga esté correctamente asentada sobre la polea.
17. **NO** coloque ningún tipo de carga si los rodamientos no permiten que el peso de la carga se distribuya por igual en todas las cadenas de soporte.
18. **NO** haga funcionar el polipasto más allá del límite del recorrido de la cadena de carga.
19. **NO** deje carga sostenida en el polipasto sin haber tomado las precauciones de seguridad necesarias.
20. **NO** utilice la cadena de carga o los ganchos como toma de tierra cuando vaya a realizar trabajos de soldadura.
21. **NO** permita que la cadena de carga o los ganchos entren en contacto con electrodos de soldadura electrificados.
22. **NO** retire ni oculte los símbolos y las recomendaciones de advertencia del polipasto.
23. **NO** ponga en funcionamiento el polipasto hasta que **no** esté correctamente asegurado a un soporte.
24. **NO** ponga en funcionamiento el polipasto hasta que las eslingas de carga u otros dispositivos de carga autorizados **no** estén correctamente ajustados y asentados en el asiento del gancho.
25. **NO** levante cargas que **no** estén equilibradas o cuyo sostenimiento **no** sea seguro, sobre todo si cadena está destensada.
26. **NO** ponga en funcionamiento el polipasto hasta que todas las personas estén lejos de la carga.
27. Informe del polipasto que presente un funcionamiento defectuoso o irregular y no lo utilice hasta que haya sido reparado.
28. **NO** ponga en funcionamiento un polipasto cuyas pegatinas y placas de se hayan retirado o sean ilegibles.
29. Familiarícese con los controles, los procedimientos y las advertencias de funcionamiento.

## **A PRECAUCIÓN**

El uso incorrecto de un polipasto puede crear situaciones potencialmente peligrosas que, en caso de no evitarse, podrían causar daños personales leves o moderados. Para evitar dichas situaciones, el operario debe atenerse a las recomendaciones siguientes:

1. Manténgase de pie con firmeza, o bien asegúrese, cuando vaya a poner en funcionamiento un polipasto.
2. Compruebe el funcionamiento del freno tensando el polipasto antes de cada operación de izado o arrastre.
3. Utilice dispositivos de fijación de ganchos. Estos se utilizan para asegurar eslingas, cadenas, etc., solo mientras la cadena esté destensada.
4. Asegúrese de que los dispositivos de fijación de ganchos estén cerrados y no soporten ninguna parte del peso de la carga.
5. Asegúrese de que la carga pueda moverse libremente y retire cualquier obstáculo que pueda interferir en la trayectoria de la misma.
6. Evite el balanceo de la carga o los ganchos.
7. Evite que la palanca se desplace hacia atrás repentinamente sujetándola firmemente hasta que se complete cada giro de accionamiento y la palanca quede en reposo.
8. Inspeccione el polipasto con regularidad, cambie cualquier pieza dañada o desgastada y lleve a cabo los registros de mantenimiento pertinentes.
9. Utilice piezas de repuesto de Columbus McKinnon para realizar cualquier reparación en la unidad.
10. Lubrique la cadena tal y como se indica en el presente manual.
11. Únicamente debe ponerlo en funcionamiento de forma manual.
12. **NO** permita que más de un operario utilice la palanca al mismo tiempo. El uso por parte de más de un operario puede ocasionar problemas de sobrecarga en el polipasto.
13. **NO** se distraiga mientras utiliza el polipasto.
14. **NO** deje que el polipasto se golpee con ningún tipo de estructuras, objetos u otros polipastos debido a un mal uso.
15. **NO** realice ningún tipo de ajuste o reparación en el polipasto a menos que esté cualificado para hacerlo.

**Los polipastos están proyectados para uso general industrial para el movimiento de cargas dentro de su rango nominal de capacidad de carga. Previamente a su instalación y puesta en funcionamiento, el usuario debe revisar la aplicación para determinar si existen condiciones ambientales o de manejo anómalas.**

## **INFORMACIÓN GENERAL DE SEGURIDAD**

### **CONDICIONES AMBIENTALES ADVERSAS**

No utilice los polipastos en lugares con vapores, gases o líquidos inflamables o cualquier tipo de polvo o fibra combustible. No utilice el polipasto en ambientes altamente corrosivos, abrasivos, húmedos o en usos que impliquen la exposición a temperaturas inferiores a -23°C o superiores a 55°C.

### **MOVIMIENTO DE CARGAS PELIGROSAS**

El polipasto no está recomendado para elevar materiales que puedan causar daños generalizados en caso de soltarse. El levantamiento o movimiento de materiales que puedan explosionar o causar contaminación radioactiva o química requiere elementos de seguridad adicionales que no están incorporados en éstos polipastos.

## DESCRIPCIÓN

Los polipastos manuales de palanca de CM Bandit son unas herramientas altamente versátiles que se pueden usar en cualquier posición para tirar, elevar, arrastrar o estirar eficientemente. El armazón, las tapas y la palanca están hechos de acero estampado. Los engranajes son de acero tratado térmicamente, los ganchos superior e inferior son de acero forjado y la cadena está tratada térmicamente, con los eslabones soldados.

Se dispone de polipastos con capacidades de carga nominales de 3/4, 1-1/2, 3 y 6 toneladas, y este manual se aplica a estas unidades. Los polipastos están disponibles con elevaciones de 1,5, 3, 4,5 y 6 metros (5, 10, 15 y 20 pies).

Los ganchos con cierre de seguridad son estándar en todas las unidades.

Los polipastos manuales de palanca de CM Bandit están fabricados de acuerdo a las especificaciones contenidas en este documento y en el momento de su fabricación cumplen con las secciones aplicables de la norma B30.21: Polipastos manuales de palanca, de la ASME, American Society of Mechanical Engineers (Sociedad americana de Ingenieros mecánicos).

## ESPECIFICACIONES

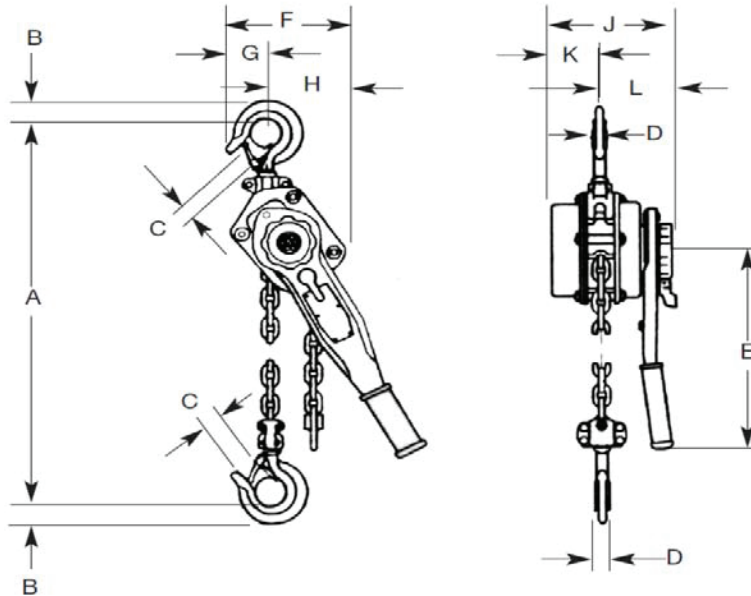


Figura 2 – Especificaciones

Modelo N°	Carga Nominal (Toneladas)	Elevación o Alcance (ft. (m))	Capacidad de Tiro de la Palanca para Elevar Cargas lbf (kgf)	Peso Neto lbs. (kg)	Dimensiones in. (mm)										
					A	B	C	D	E	F	G	H	J	K	L
BAN07505	0,75	5 (15)	45 (20,4)	13,6 (6,2)	12,8 (325)	0,94 (24)	1,13 (29)	0,69 (18)	9,63 (244)	4,88 (124)	2,19 (56)	3,31 (84)	6,06 (154)	2,11 (54)	3,95 (100)
BAN07510		10 (30)		15,7 (7,1)											
BAN07515		15 (45)		18 (8,1)											
BAN07520		20 (60)		20,1 (9,1)											
BAN075LCX		-		9,7 (4,4)											
BAN15005	1,5	5 (15)	64 (20,0)	20,7 (9,4)	14,2 (361)	1,13 (29)	1,25 (32)	0,81 (21)	10,25 (260)	5,63 (143)	2,38 (60)	3,56 (90)	6,75 (171)	2,69 (68)	4,12 (105)
BAN15010		10 (30)		24,3 (11)											
BAN15015		15 (45)		27,9 (12,7)											
BAN15020		20 (60)		31,5 (14,3)											
BAN150LCX		-		16,4 (7,4)											
BAN30005	3	5 (15)	73 (33,1)	38 (17,4)	17,5 (445)	1,69 (43)	1,56 (40)	1,25 (32)	16,37 (416)	7,52 (191)	3,38 (86)	4,65 (118)	7,84 (199)	3,29 (84)	4,56 (116)
BAN30010		10 (30)		45,7 (20,7)											
BAN30015		15 (45)		53 (24)											
BAN30020		20 (60)		60,4 (27,4)											
BAN300LCX		-		29,5 (13,4)											
BAN60005	6	5 (15)	85 (38,5)	63,2 (28,6)	22 (559)	1,81 (46)	2,19 (56)	1,5 (38)	16,37 (416)	9,47 (241)	3,38 (86)	6,05 (154)	7,84 (199)	3,29 (84)	4,56 (116)
BAN60010		10 (30)		77,9 (35,3)											
BAN60015		15 (45)		92,6 (42)											
BAN60020		20 (60)		107,3 (48,7)											
BAN600LCX		-		44,5 (20,2)											



## DESEMBALADO

Después de desembalar el polipasto, inspeccione cuidadosamente que no exista ningún daño que pueda haber ocurrido durante el transporte. Compruebe que no haya piezas sueltas, perdidas o dañadas. Los daños producidos durante el transporte se deben reclamar al transportista. El polipasto se suministra completamente montado y listo para su uso.

## POLÍTICA DE CAMBIOS/ REPARACIONES DE CM®

Todos los polipastos Bandit de Columbus McKinnon (CM) se someten a una inspección y a una prueba de funcionamiento antes del envío. En el caso de que un polipasto mantenido correctamente desarrolle un problema de funcionamiento durante su vida útil debido a un defecto de material o mano de obra, verificable por CM, la unidad se reparará o reemplazará al comprador original sin costo alguno. Además de la garantía de por vida del polipasto, el freno del Bandit dispone de una garantía de 3 años. Si los discos del freno del Bandit se desgastan dentro de un plazo de tres años a partir de la fecha de compra, Columbus McKinnon reemplazará el conjunto del disco del trinquete sin cargo. La reparación del freno debe realizarla un Centro de Servicio Autorizado de Bandit según lo indicado por Columbus McKinnon.

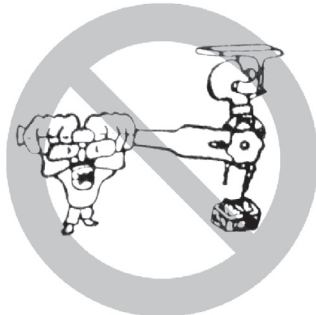
Esta política de reparación/reemplazo se aplica solamente a los polipastos Bandit CM instalados, mantenidos y operados según se indica en este manual y excluye específicamente los polipastos sujetos a un desgaste normal, abusos, instalación incorrecta, mantenimiento incorrecto o inadecuado, efectos ambientales hostiles y reparaciones/ modificaciones no autorizadas. Nos reservamos el derecho de cambiar los materiales o el diseño si, en nuestra opinión, tales cambios sirven para mejorar el producto. El uso abusivo, la reparación por una persona no autorizada o la utilización de piezas de repuesto que no sean de CM anulan la garantía y podrían resultar en un funcionamiento peligroso. Para conocer todos los términos de venta, consulte el Reconocimiento de orden de venta. Consulte también las secciones de Limitaciones de garantía, Recursos y daños y perjuicios, e Indemnización y funcionamiento seguro.

## INSTALACIÓN

Antes de instalar el polipasto:

1. Calcule el peso de la carga que se vaya a elevar o mover y asegúrese de que no exceda el límite de carga del polipasto.
2. Asegúrese que el soporte o la eslinga donde se vaya a sujetar el gancho superior sea lo suficientemente resistente como para sostener varias veces el peso de la carga que se vaya a elevar o mover. Asegúrese de que el polipasto quede suspendido firmemente por la parte más elevada del gancho superior y que el cierre de seguridad esté cerrado y no esté en contacto con el soporte o la eslinga.

3. El área donde se haya instalado el polipasto debe ser lo suficientemente amplia para que:
  - El operario pueda manejar la palanca.
  - El operario y cualquier otro personal permanezcan lejos de la carga todo el tiempo.
  - El operario pueda asentar perfectamente los pies.



- Exista espacio suficiente entre el armazón del polipasto y cualquier objeto. El armazón debe poder girar libremente en el gancho superior.

### ⚠ ADVERTENCIA

Enganchar el polipasto en un soporte inadecuado puede ocasionar que el polipasto y la carga que soporta caigan y causen daños personales y/o materiales.

#### PARA EVITAR DAÑOS:

Asegúrese de que la estructura tiene resistencia suficiente para soportar varias veces el peso del polipasto y su capacidad de carga nominal.



## OPERACIÓN

### ⚠ ADVERTENCIA

Si no se usa según las indicaciones, la palanca puede ocasionar daños personales.

#### PARA EVITAR DAÑOS:

Solo debe utilizar el polipasto del modo que se describe a continuación. Lea todas las instrucciones antes de poner en funcionamiento el polipasto manual de palanca CM Bandit.

## NORMAS GENERALES

1. El polipasto debe mantenerse limpio para un funcionamiento correcto. Antes de usarlo, compruebe que la cadena esté limpia, que no haya elementos extraños en la zona de la rueda elevadora y que la palanca funcione libremente.
2. No cargue por encima de la capacidad nominal. Una sobrecarga puede causar un fallo inmediato o causar daños que ocasionen un fallo futuro incluso si se usa por debajo de la capacidad de carga nominal.
3. No utilice este polipasto ni ningún otro equipo de manipulación de materiales para elevar o mover personas ni para levantar cargas sobre las mismas.
4. Aléjese de las cargas y advierta a otras personas de su intención de mover una carga en su proximidad.
5. No deje una carga suspendida sin control.
6. Lea las advertencias e instrucciones del polipasto antes de cada uso.
7. No sujete la cadena mientras está funcionando el polipasto. Si el polipasto no funciona correctamente, se pueden producir daños graves.
8. Nunca ponga en funcionamiento el polipasto cuando existan gases o vapores inflamables. El roce entre elementos metálicos puede producir chispas que los inflamen y causar un fuego o una explosión.
9. ¡PERMANEZCA ALERTA! Mire lo que está haciendo y use el sentido común. No utilice el polipasto si está cansado, distraído o bajo los efectos de drogas, alcohol o medicamentos que ocasionen la disminución de la capacidad de control.

## CADENA LIBRE

### ⚠ ADVERTENCIA

Un mal funcionamiento de la unidad, resbalón o pérdida de equilibrio puede provocar que el usuario resbale y sufra daños personales.

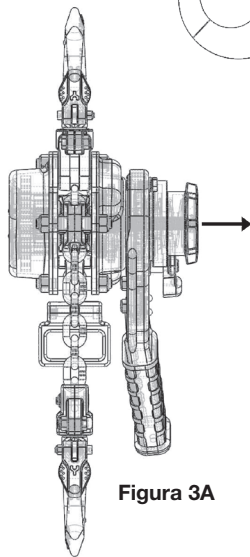
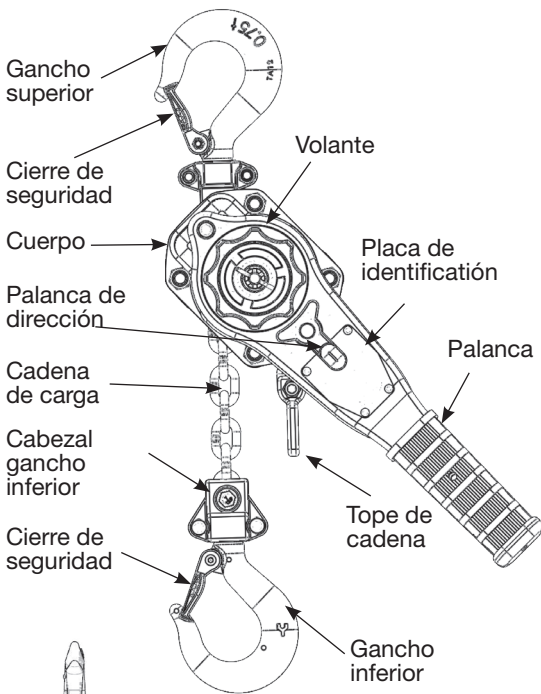
#### PARA EVITAR DAÑOS PERSONALES:

Asiente siempre firmemente los pies cuando utilice los polipastos manuales de palanca CM Bandit.

En este modo de funcionamiento, se puede tirar de la cadena a través del polipasto en cualquier dirección con la mano para poder enganchar la carga rápidamente.

Para ponerlo en modo de cadena libre, quite cualquier carga del polipasto y mueva la palanca de dirección a la posición ("N").

## OPERACIÓN (CONTINUACIÓN)



Tire del volante como se muestra en la Figura 3A. El volante girará automáticamente a la izquierda para poner la unidad en modo de cadena libre.

No levante la cadena de carga hasta el punto donde el bloqueo de la cadena o el bloque del gancho inferior quedan atascados en el armazón.

Figura 3A

### ENGANCHE DE LA CARGA

Enganche el gancho inferior a la carga hasta que se asiente en la parte inferior del mismo y no ejerza ninguna presión contra la punta del gancho ni contra el cierre de seguridad. Asegúrese de que el cierre de seguridad esté bien cerrado.

#### ADVERTENCIA

Permitir que la carga se sostenga sobre el cierre de seguridad y/o sobre la punta del gancho puede ocasionar la pérdida de la misma.

#### PARA EVITAR DAÑOS PERSONALES:

No permita que la carga se sostenga sobre el cierre de seguridad o sobre la punta del gancho. El peso de la carga debe asentarse de la manera correcta sobre el asiento del gancho.

No utilice la cadena de carga como si fuese una eslinga, no la enrolle alrededor de la carga ni ponga en contacto la carga con el polipasto. Hacerlo puede ocasionar que el gancho no pueda girar lo que podría ocasionar que la cadena se retuerza y la rueda de elevación se atasque. También la cadena puede ser dañada por el gancho. Asegúrese de que los ganchos superior e inferior estén alineados y que el cuerpo pueda girar libremente sobre el gancho superior.

### PARA ELEVAR O TIRAR DE LA CARGA

Mientras sostiene el extremo de carga de la cadena, gire el volante a la derecha como se muestra en la Figura 3B. El volante "saltará" de nuevo a su posición y volverá a acoplarse con el mecanismo del polipasto.

Mueva la palanca de dirección a la posición de carga. Mueva la palanca hacia arriba y hacia abajo para elevar la carga.

Al tirar o elevar, mueva la carga solo lo suficiente para cargar ligeramente la unidad y verifique que las fijaciones a los ganchos y la carga estén firmemente asentadas. Continúe el movimiento solo después de asegurarse de que la carga esté libre de toda obstrucción.

El polipasto está diseñado para operación manual únicamente. No utilice ninguna extensión en la palanca. Cualquier fuerza de tracción superior a 67,5 lb/pie para la unidad de 0,75 toneladas, 96 lb/pie para la de 1,5 toneladas, 103 lb/pie para la de 3 toneladas, y 116 lb/pie para la unidad de 6 toneladas es una indicación de una sobrecarga o una unidad a la cual se le ha prestado un mantenimiento incorrecto.

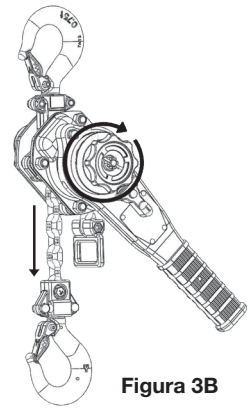


Figura 3B

### LIBERAR O BAJAR CARGAS

#### ADVERTENCIA

El uso de maquinaria para usar el polipasto puede causar daños estructurales o un desgaste prematuro que pueden ocasionar roturas y pérdidas de la carga.

#### PARA EVITAR DAÑOS:

Utilice los polipastos manuales de palanca CM Bandit de forma manual.

Mueva la palanca de dirección a la posición de descarga. De nuevo, mueva alternativamente arriba y abajo la palanca para aumentar la distancia entre los ganchos y así liberar o bajar la carga.

### BLOQUEO DEL FRENO

Si se suelta la carga colgada del gancho inferior de un polipasto repentinamente bien por haber accionado el descenso o por otros motivos, el freno se bloqueará.

El freno también se bloqueará si se tira del gancho inferior fuertemente contra el armazón.

Para desbloquear el freno, gire la palanca de dirección a la posición de descarga y tire de la palanca fuertemente.

#### ADVERTENCIA

Girar el botón de liberación de la cadena mientras el polipasto está cargado ocasionará que se suelte la carga y puede causar daños personales.

#### PARA EVITAR DAÑOS PERSONALES:

Nunca gire el botón de liberación de la cadena cuando el polipasto de palanca esté cargado.

#### ADVERTENCIA

Si los ganchos de la unidad no están alineados y el cuerpo no puede girar libremente, al tirar de la palanca se puede romper el cuerpo del polipasto y causar daños personales y la pérdida de la carga.

#### PARA EVITAR DAÑOS PERSONALES:

Alinee los ganchos de la unidad y permita que el cuerpo gire libremente (Vea la Figura 4).

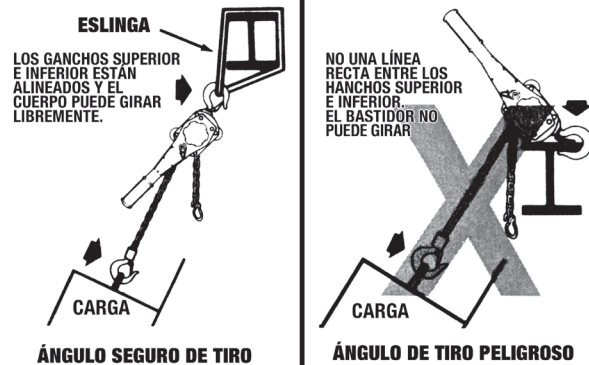


Figura 4 - Tirando en ángulo

## INSPECCIÓN DEL POLIPASTO

Antes de cada uso y en los intervalos especificados en la sección de inspección.

### ADVERTENCIA

El polipasto debe utilizarse tal como se indica más abajo. No hacerlo así puede ocasionarle daños a usted o a otras personas.

1. **NO** exceda la capacidad de carga indicada en la placa de identificación.
2. **NO** lo utilice para elevar personas o cargas sobre personas.
3. **NO** lo utilice a menos que el cuerpo del polipasto y la cadena formen una línea recta entre los ganchos.
4. **NO** lo utilice si el cuerpo está en contacto con otro objeto.
5. **NO** lo utilice si la unidad está dañada o si no funciona correctamente.
6. **NO** utilice alargadores para la palanca. Use únicamente el esfuerzo manual.
7. **NO** utilice la cadena si está retorcida, doblada o dañada.

## MANTENIMIENTO

### INSPECCIÓN

Para mantener un funcionamiento continuo y satisfactorio se debe iniciar un procedimiento de inspección periódico que permita sustituir las piezas desgastadas o dañadas antes de que sean inseguras. Los intervalos de inspección deben determinarse según el uso individual y se basan en el tipo de servicio al cual el polipasto está sujeto. Los intervalos indicados a continuación están basados en un uso normal.

Las inspecciones se dividen en dos grupos generales designados por "frecuente" y "periódico".

#### INSPECCIONES FRECUENTES

Estas inspecciones consisten normalmente en un examen visual realizado por el operario. Las revisiones frecuentes deben realizarse diariamente o antes de cada uso, y consisten en:

1. Indicios de deslizamiento en el sistema de frenado.
2. Funcionamiento del movimiento de la palanca de dirección para liberar el movimiento.
3. Revisión de la cadena de carga en cuanto se refiere a, engrase, desgaste, eslabones dañados o elementos extraños.
4. Revisión de los ganchos para detectar daños, roturas, torceduras, ajuste del cerrojo de seguridad y funcionamiento del mismo.

### INSPECCIONES PERIÓDICAS

Son inspecciones visuales del estado interno y externo realizadas por una persona designada que lleva un registro que permite evaluar continuamente el estado del polipasto. La frecuencia de las inspecciones periódicas depende del uso según se define en ASME B30.21. Las inspecciones periódicas deben incluir esos elementos, además de los siguientes:

1. Excesivo desgaste o alargamiento de la cadena (Ver Figuras 6 y 7, página 7).
2. Piezas desgastadas, agrietadas o deformadas tales como el bloque del gancho inferior, el bloque del gancho superior, el pasador del gancho superior, la guía de la cadena, los casquillos, la palanca, la cubierta del freno, el botón de cadena libre, el trinquete de dirección, el cubo de fricción y la rueda dentada de la palanca.
3. Inspeccionar el desgaste en la punta de los trinquetes, las cabezas de la rueda dentada y los bolsillos de la rueda de elevación.
4. Tornillos, tuercas, pasadores o remaches perdidos o flojos.
5. Inspeccionar los componentes del freno para detectar discos de fricción desgastados, lisos o contaminados, así como rayas en el cubo de fricción y la rueda dentada. (a partir de la primera frase) Reemplace el conjunto del trinquete del freno si está contaminado, se ve abrillantado o el grosor es inferior a 0,256 pulgadas. (6,5 mm) para las unidades de 0,75 toneladas y 1,5 toneladas, y 0,307 pulgadas (7,8 mm) para las unidades de 3 y 6 toneladas.
6. Corrosión, alargamiento o rotura de muelles de los trinquetes, muelle del trinquete de la palanca de dirección y muelle del trinquete de la palanca.
7. Ganchos - Inspección visual conforme a ASME B30.10 y ASME B30.21.
8. Existencia y legibilidad de placas y etiquetas.
9. Asegurar que el tope de la cadena está en su sitio y adecuadamente asegurado.

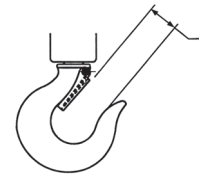
Cualquier deficiencia debe ser corregida antes de volver a utilizar el polipasto. Las condiciones externas también pueden indicar la necesidad de una inspección más detallada que, a su vez, puede requerir la utilización de algún tipo de prueba no destructiva.

Cualquier pieza considerada como no utilizable debe ser reemplazada con nuevas piezas antes de que vuelva a utilizarse el polipasto. Es muy importante que las partes desechadas sean destruidas y dispuestas para evitar que se puedan usar como repuesto en el futuro.

Cuando la unidad está sujeta a un uso continuo o a ambientes polvorientos, abrasivos, húmedos o corrosivos, los periodos deben ser más cortos. Debe hacerse la inspección de todas las piezas para detectar un desgaste excesivo, corrosión o daño además de las especificadas en el programa de mantenimiento.

### INSPECCION DEL GANCHO

Los ganchos dañados por productos químicos, deformaciones o grietas, o los que se hayan retorcido con relación al plano de un gancho en buen estado, que tengan una abertura o presenten desgaste en el asiento, deben reemplazarse (consulte ASME B30.10). También se deben reemplazar ganchos que se hayan abierto hasta el extremo de que el cerrojo de seguridad no llegue hasta la punta. Cualquier gancho que esté retorcido o tenga una apertura excesiva indica un mal uso o una sobrecarga del polipasto. Otras partes que sustenten la carga deben ser revisados por si tienen daños.



Oprima el cierre de seguridad para medir la apertura de la garganta

Figura 5 - Inspección del gancho

Capacidad del polipasto (Toneladas)	Reemplazar el gancho si la apertura es mayor que: pulgadas (mm)
3/4	1,25 (19)
1-1/2	1,375 (35)
3	1,72 (44)
6	2,31 (59)

Compruebe que el cerrojo de seguridad no está dañado o doblado y que funciona correctamente. El muelle debería ejercer presión suficiente para sujetarlo con fuerza contra la punta del gancho y permitirle regresar a la punta al soltarlo. Si el cierre de seguridad no funciona correctamente, reemplácelo.

La tabla mostrada anteriormente debe usarse para determinar cuando se debe cambiar el gancho.

#### CADENA DE CARGA

La cadena debe deslizarse suavemente dentro y fuera del polipasto. Si la cadena se atasca, salta o hace mucho ruido, engrase y lubríquela (vea la página 7). Si el problema continúa, inspeccione la cadena y sus uniones para detectar desgastes, deformaciones u otros daños.

## MANTENIMIENTO (CONTINUACIÓN)

### INSPECCIÓN DE LA CADENA

Primero limpie la cadena con un disolvente no cáustico ni ácido y revise eslabón a eslabón para detectar melladuras, acanaladuras, eslabones retorcidos, salpicaduras de soldadura, agujeros de corrosión, estrías (diminutas líneas paralelas), grietas en las zonas de soldadura, desgastes y alargamientos. Cualquier cadena con alguno de esos defectos debe ser reemplazada.

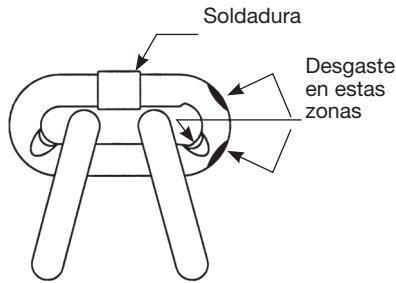


Figura 6 - Inspección de la cadena

Afloje la parte de la cadena que normalmente pasa sobre la rueda de elevación. Examine la zona entre eslabones buscando los puntos de máximo desgaste (pulidos). Mida y registre el diámetro en este punto del eslabón. Después mida la misma zona del eslabón por la parte que no pasa por la rueda de elevación (hágalo en el eslabón siguiente). Compare estas dos medidas. Si el diámetro del eslabón desgastado es de 0,254 mm o más que la medida de la zona no desgastada, la cadena debe ser reemplazada.

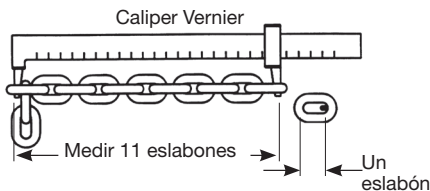


Figura 7 - Inspección de la cadena

También revise si la cadena ha estirado utilizando un pie de rey calibrado como se muestra en la Figura 7. Elija una porción de la cadena no utilizada o alargada (habitualmente la punta suelta) y mida y registre la longitud de aproximadamente 11 eslabones. Mida y registre la misma longitud de cadena en la zona desgastada de la misma.

Si el resultado (la suma del alargamiento más el desgaste) es mayor que 3,7 mm, debe reemplazar la cadena.

Utilice únicamente un calibre "de punta de cuchillo" para eliminar la posibilidad de una falsa lectura por no medir la longitud completa del eslabón.

## ⚠ ADVERTENCIA

Utilizar una cadena de carga distinta a la suministrada por CM Bandit puede ocasionar que se atasque la cadena en el polipasto y/o permitir que la cadena se rompa o deje caer la carga.

### PARA EVITAR DAÑOS PERSONALES:

Debido a los requerimientos de tamaño y propiedades físicas utilice únicamente cadenas suministradas por CM Bandit en el polipasto de palanca CM Bandit.

Note que una cadena desgastada puede indicar un desgaste en los componentes del polipasto. Por ésta razón, el cuerpo del polipasto, el stripper y rueda de elevación deben ser examinados para detectar desgastes y reemplazarse si es necesario cuando se reemplace la cadena (Vea DESMONTAJE Y MONTAJE). La cadena de carga está especialmente tratada térmicamente y endurecida y nunca debe ser reparada.

**IMPORTANTE:** No utilice una cadena reemplazada para elevar o tirar de cargas. La cadena puede romperse repentinamente sin deformación visual aparente. Por ésta razón, corte una cadena reemplazada en trozos pequeños para evitar que se utilice después de desecharla.

### LUBRICACIÓN DE LA CADENA

Una pequeña cantidad de lubricante aumentará en gran medida la vida de la cadena. No permita que la cadena se seque. Manténgala limpia y engrásela a intervalos regulares con aceite Lubriplate® 10-R para cadenas y barras (Fiske Bros. Refining Co.) o un lubricante similar.

Habitualmente, una limpieza y engrase semanal es suficiente, pero en condiciones de alto calor y suciedad puede ser necesario limpiar la cadena al menos una vez al día y engrasarla varias veces entre cada limpieza.

Cuando engrase la cadena, aplique suficiente lubricante para que el movimiento sea suave y cubra la totalidad de la cadena, especialmente en la zona entre eslabones.

## ⚠ ADVERTENCIA

Los aceites de motor utilizados contienen componentes cancerígenos.

### PARA EVITAR DAÑOS:

Nunca use aceites de motor como lubricante para la cadena. Utilice únicamente aceite Lubriplate® 10-R para cadenas y barras para engrasar la cadena.

Los polipastos no requieren una lubricación adicional excepto cuando han sido desmontados para su limpieza o reparación.

**IMPORTANTE:** El freno está diseñado para trabajar en seco. No use grasa o lubricante en las superficies del freno. Al engrasar piezas adyacentes al freno no use una cantidad excesiva de lubricante, ya que podría rezumar hasta las superficies de frenado.

## ⚠ ADVERTENCIA

Utilizar grasa o lubricante en las superficies del frenado puede ocasionar deslizamientos y pérdida del control de la carga que puede resultar en daños personales y/o personales.

### PARA EVITAR DAÑOS PERSONALES:

No use ninguna grasa o lubricante en las superficies del frenado. El freno está diseñado para trabajar en seco.

Al desmontar el polipasto para tareas de limpieza o reparación, deben lubricarse los siguientes componentes con aproximadamente 30 ml por polipasto de grasa Molykote BR-2-S (Dow Corning), Molytex #2 (Texaco) o TopMoly (Topsall), o lubricante equivalente: los engranajes, los casquillos de la rueda de elevación, el exterior del eje del piñón, las superficies de los casquillos del armazón y la superficie de los casquillos de la cubierta de engranajes. Asegúrese de limpiar a fondo la grasa anterior de estas piezas antes de volver a lubricarlas.

**IMPORTANTE:** Para asegurar una larga vida y las máximas prestaciones, asegúrese de engrasar las diferentes partes del polipasto especificadas anteriormente. Si lo desea, puede adquirir dichos lubricantes en Columbus McKinnon (Vea la Figura 13, página 10).

# MANTENIMIENTO (CONTINUACIÓN)

## DESMONTAJE Y MONTAJE

La ilustración de piezas y lista de las páginas 13 y 19 muestran la disposición general y el nombre de las piezas que componen los polipastos de palanca CM Bandit. Utilícelos cuando desmonte y vuelva a montar las unidades para comprobar que están correctamente instaladas.

### DESMONTAJE

Para reemplazar la rueda de elevación o el separador (stripper), desmonte completamente la unidad: retire la cadena (Vea REEMPLAZO DE LA CADENA DE CARGA, página 9) y, a continuación, retire lo siguiente: pasador de horquilla (26), tuerca almenada (36), alojamiento del resorte de torsión (20), resorte de torsión (19), volante (18), resorte de torsión (17), tornillo de cabeza hexagonal (27), M6 (0,75 y 1,5 toneladas) o M8 (3 y 6 toneladas), conjunto de manivela de la palanca (15), leva (16), engranaje inversor o conjunto de sobrecarga (14 o 14L), contratuerca M8 (25), conjunto de la cubierta de freno (13), conjunto de disco de rueda dentada (12), cubo del disco (11), conjunto de placa lateral de la palanca (8), guías (6), separador (7) Del lado del engranaje, retire lo siguiente: contratuerca M8 (25), conjunto de caja de engranajes (1), conjunto de engranaje cilíndrico (34 o 35), eje de propulsión (2), arandela del eje de propulsión (22), engranaje de carga (3 para las unidades de 0,75 y 1,5 toneladas; 35 para las unidades de 3 y 6 toneladas), eje del gancho superior (21), conjunto del gancho superior (33).

### MONTAJE

Antes de volver a montarlo, revise todas las piezas para asegurarse de que no estén desgastadas en exceso, agrietadas o distorsionadas. Reemplace las piezas según sea necesario y seguidamente vuelva a montar la unidad en sentido inverso al orden indicado anteriormente.

### MONTAJE DE LA CADENA LIBRE

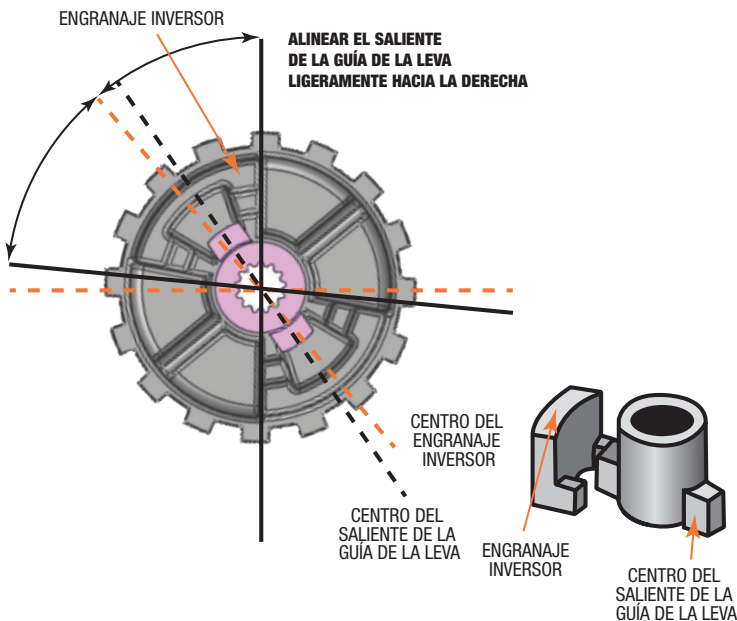
AVISO:

Para garantizar el funcionamiento correcto de los sistemas del freno del polipasto y de la cadena libre, realice los pasos siguientes antes de comenzar con el paso 1.

- Coloque la palanca de dirección en la posición "N".
- Gire el engranaje inversor (14/14L) hacia la derecha para asegurarse de que el engranaje inversor se haya engranado en el disco del freno. Complete este paso sujetando la cadena con el gancho inferior acoplado.
- Si el lado de la carga de la cadena no se sujeta con la suficiente fuerza, se oirá un "clic".
- Después de apretar el engranaje inversor (14/14L), asegúrese de que el engranaje inversor no gire hacia la izquierda.

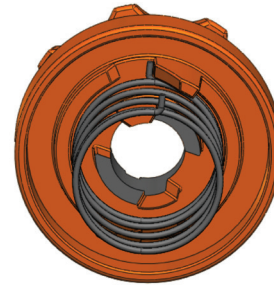
### PASO 1: INSTALE LA LEVA

- Acople (16) la leva al (2) eje de propulsión alineando la leva en el interior del engranaje inversor (14/14L) como se muestra en la siguiente figura.

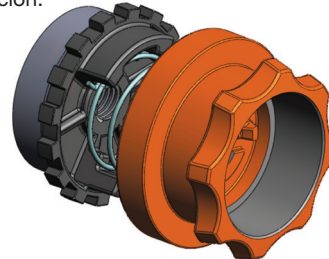


### PASO 2: INSTALE LA PERILLA DE CADENA LIBRE

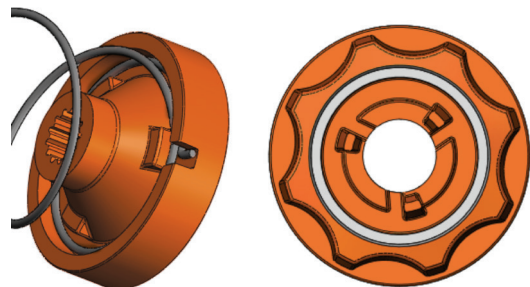
- Inserte (17) el resorte de torsión en la ranura situada en la parte posterior de (18) del volante. Gire (17) el resorte de torsión hasta que la pestaña del



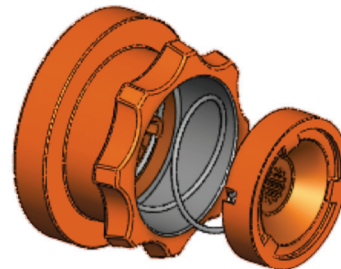
- Monte el extremo opuesto del (17) resorte de torsión junto al saliente del engranaje inversor (14/14L) tal y como se muestra a continuación.



- Mientras sujeta la cadena de carga, gire (18) el volante 120° hacia la derecha a la vez que presiona el (18) volante hacia el cuerpo del polipasto. A medida que gire el (18) volante, (16) la leva se colocará en el interior de las ranuras del (18) volante.
- Ponga la palanca de la dirección hacia "ABAJO" o hacia "ARRIBA" para fijar temporalmente (18) el volante.
- Coloque el extremo del (19) resorte de torsión que apunta hacia fuera en la ranura situada en la parte posterior del (20) alojamiento del resorte de torsión. Enganche el otro extremo (pestaña que apunta hacia dentro) del (19) resorte de torsión en una de las tres ranuras situadas en el interior del (18) volante, como se muestra a continuación.



- Gire el (20) alojamiento del resorte de torsión 120° hacia la izquierda, presionándolo al mismo tiempo hacia dentro, hacia el cuerpo del polipasto. Alinee las estrías del (20) alojamiento del resorte de torsión con las ranuras de acoplamiento del (2) eje de propulsión.

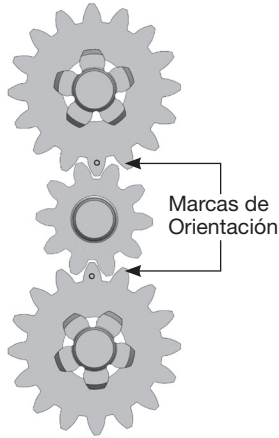


- Instale la (36) tuerca almenada y el (26) pasador de horquilla.
- Coloque la palanca de control de dirección en la posición "N" y tire del (18) volante hacia fuera para engranar el mecanismo de cadena libre. Tire de la cadena de carga a través del polipasto para asegurarse de que funciona correctamente.

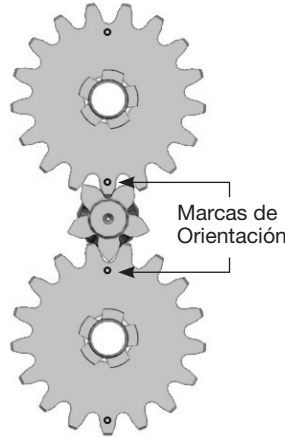
# MANTENIMIENTO (CONTINUACIÓN)

## ORIENTACIÓN DE LOS ENGRANAJES

Al montar los engranajes, deben orientarse con las marcas de dirección como se muestra. (Consulte la figura "Orientación de los engranajes") Nota: Para las unidades de 1.5 toneladas, la orientación de los conjuntos A y B de piñón/engranaje no es relevante, siempre y cuando las marcas de dirección estén orientadas como se muestra y haya uno de cada conjunto (A y B).



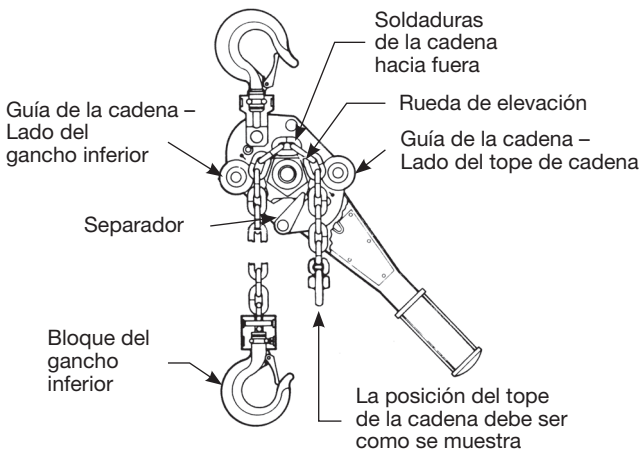
**Figura 10 - Orientación de los engranajes (0,75 y 1,5 toneladas)**



**Figure 10 - Orientación de los engranajes (3 y 6 toneladas)**

## REEMPLAZO DE LA CADENA DE CARGA

Para reemplazar la cadena de carga, retire de la cadena el bloque del gancho inferior y el tope. Mueva la palanca de dirección a la posición neutra "N" y extraiga la cadena usada del polipasto. Pase un trozo de alambre blando a través de un lado de la guía de la cadena y sobre la rueda de elevación que salga por el otro lado de la guía de la cadena. Fije el alambre al extremo de la cadena nueva. Posicione la cadena de manera que el primer eslabón en entrar en la guía de la cadena sea un eslabón en posición vertical y que las soldaduras de todos los eslabones queden en el lado opuesto a la rueda de elevación. Tire del alambre hasta que la cadena se acople a la rueda de elevación. Gire el botón de cadena libre mientras tira del alambre hasta que la cadena salga de la guía. Tire de la cadena hasta que pase totalmente y retire el alambre. Fije el bloque del gancho inferior a la cadena que está directamente debajo del gancho superior.



**Instalación de la cadena**

## LIMITADOR DE CARGA OPCIONAL

El polipasto de palanca Bandit dispone de un limitador de carga opcional. El limitador de carga es un dispositivo que está diseñado y calibrado para evitar sobrecargas excesivas. La sobrecarga excesiva se indica mediante movimiento de la palanca sin el correspondiente movimiento del bloque del gancho inferior o de la carga cuando la unidad funciona en la dirección "ascendente". En caso de que la sobrecarga sea evidente, cambie inmediatamente la palanca a la posición de "descenso" y accione la palanca para retirar el exceso de carga de las unidades. La reducción de la carga a la capacidad nominal o menos dará como resultado la restauración automática del funcionamiento normal de la unidad.

## PRECAUCIÓN

El limitador de carga se somete a sobrecalentamiento y desgaste cuando se acciona excesivamente. Por esta razón, una vez que se detecta una sobrecarga, debe retirarse el exceso de carga y se debe restaurar el funcionamiento normal sin proseguir el funcionamiento indebido.

El limitador de carga está diseñado para funcionar en seco, sin lubricación. Para asegurar un funcionamiento correcto, NO aplique lubricante a las superficies de fricción ni a las piezas adyacentes al limitador de carga.

## COMPROBACIÓN

Durante la inspección periódica, recomendamos probar el limitador de carga. Para realizar esta prueba, conecte el gancho inferior a una carga máxima del 200% de la capacidad nominal y opere la unidad en dirección de "ascenso". Al intentar levantar la carga, la palanca debe deslizarse. Después de esta prueba, mueva el gatillo a la posición bajada y opere la unidad para eliminar la tensión de las unidades. Una vez que se haya eliminado la tensión, la unidad debe volver a la operación normal. Si la carga no se desliza al 200% de la capacidad, el limitador de carga debe ser reemplazado.

## PIEZAS DE REPUESTO RECOMENDADAS

- Conjunto de disco de rueda dentada
- Kit de sujeción
- Conjunto de gancho superior e inferior

## ⚠ ADVERTENCIA

Las alteraciones o modificaciones del equipo y el uso de piezas de repuesto distintas a las suministradas por CM Bandit pueden ocasionar un funcionamiento peligroso y daños.

### PARA EVITAR DAÑOS:

No cambie o modifique el equipo. Utilice únicamente piezas de repuesto suministradas por CM Bandit.

# MANTENIMIENTO (CONTINUACIÓN)

## MANTENIMIENTO PREVENTIVO

Adicionalmente a los procedimientos de inspección, se debería establecer un programa de mantenimiento preventivo para alargar la vida útil del polipasto y mantener permanentemente su fiabilidad y funcionamiento seguro. El programa debería incluir las inspecciones periódicas con una especial atención a la lubricación de los diversos componentes utilizando los lubricantes adecuados (Vea la Figura 13).

## PRUEBAS

El usuario debe comprobar que un polipasto reparado o en uso que no haya sido operado en los últimos 12 meses funciona correctamente.

Pruebe la unidad primero sin carga y luego con una carga liviana de 45 kg (100 libras) por el número de piezas que soportan carga de la cadena de carga para estar seguro de que funciona correctamente y de que el freno sujeta la carga cuando se suelta la palanca. A continuación, realice la prueba con una carga del 125% de la capacidad nominal.

Adicionalmente, los polipastos cuyas partes principales han sido cambiadas deben ser comprobados a un 125% de su capacidad de carga nominal bajo el control de una persona designada y llevar un registro escrito preparado con dicho propósito.

**NOTA:** Para una información adicional sobre inspección y comprobación consultar la ASME B30.21 "Manually Lever Operated Hoists" (Polipastos de palanca manuales) que puede obtener del Departamento de pedidos de la ASME, 22 Law Drive, BOX 2300, Fairfield, NJ 07007-2300, U.S.A.

INFORME DE INSPECCIÓN			
ELEMENTO	COMENTARIOS (LISTA DE DEFICIENCIAS Y ACCIONES RECOMENDADAS)		
Firma del inspector	Fecha de inspección	Aprobado por	Fecha

Figura 12 - Informe de inspección recomendado

PROGRAMA DE LUBRICACIÓN RECOMENDADO PARA LOS POLIPASTOS MANUALES DE PALANCA CM BANDIT*						
REFERENCIA Nº (VEA PÁGS. 12 Y 13)	COMPONENTE	TIPO DE LUBRICANTE	Nº DE PEDIDO DE PIEZA	TIPO DE SERVICIO Y FRECUENCIA DE LA LUBRICACIÓN		
				INTENSO	NORMAL	INFRECUENTE
32	Cadena de carga	Aceite (Vea la página 7)	28619 (3,8 L frasco)	Diario	Semanal	Mensual
5, 1, 8, 24 y 7	Engranajes, Casquillos, Rodillos de la rueda de elevación y Ejes	Grasa (Vea la página 7)	28618 (0,45 Kg frasco)	Cuando el polipasto se desmonte para su limpieza o reparación		

(\*) Este programa de lubricación se basa en el funcionamiento de un polipasto en condiciones ambientales normales. Los polipastos que trabajen en atmósferas excesivamente calurosas, corrosivas, abrasivas, etc., deberán ser lubricados más frecuentemente.

Figura 13 - Programa de lubricación recomendado

# MANTENIMIENTO (CONTINUACIÓN)

## LISTA DE COMPROBACIÓN DE INSPECCIÓN Y MANTENIMIENTO POLIPASTOS MANUALES DE PALANCA

Tipo de polipasto \_\_\_\_\_ Capacidad (Toneladas) \_\_\_\_\_  
 Localización \_\_\_\_\_ Fecha de instalación inicial \_\_\_\_\_  
 Fabricante \_\_\_\_\_ Numero de serie del fabricante \_\_\_\_\_

Elemento	Frecuencia de la inspección		Posibles deficiencias	OK	Acciones requeridas
	Frecuente	Periódica			
	Diaria	Entre cada 3 meses y anualmente según lo definido por ASME B30.21			
Mecanismo de freno	*	*	Resbalamiento o deriva excesiva. Discos de fricción desgastados, lisos o contaminados. Espesor del conjunto de rueda dentada del freno inferior a 7 mm.		
Palanca de dirección	*	*	Se engancha y no se mueve libremente.		
Cadena de carga	*	*	Lubricación inadecuada, desgaste excesivo o alargamientos, rotura, eslabones agrietados, dañados o retorcidos, corroídos o embozados con material extraño.		
Ganchos	*	*	Abertura excesiva de la garganta, cierre del gancho torcido, dañado o inoperante, daños producidos por productos químicos. Grietas (utilice penetrantes de tinte, un sistema magnético o algún otro método de detección adecuado, al menos una vez al año).		
Bloque del gancho inferior, bloque del gancho superior, pasador del gancho superior, guía de cadena, casquillos, engranajes, piñón y cubo de fricción		*	Grietas, deformaciones, desgaste excesivo, corrosión o acumulación de materiales extraños.		
Puntas de trinquetes y trinquete de la palanca, cabezas de la rueda dentada y palanca de la rueda dentada		*	Grietas, deformaciones, desgaste excesivo, corrosión o acumulación de materiales extraños.		
Bolsillos de la rueda de elevación, stripper y placas laterales		*	Grietas, deformaciones, desgaste excesivo, corrosión o acumulación de materiales extraños.		
Tuercas, pernos, pasadores y remaches		*	Agrietados, doblados, sueltos, o cabezas ranuradas.		
Muelles del trinquete, muelle del trinquete de dirección y muelle		*	Corrosión, estiramientos o roturas.		
Tope de la cadena		*	Perdido, agrietado, no asegurado a la cadena, posición incorrecta.		
Placas de identificación, etiquetas de advertencia y etiquetas de cadena libre		*	Perdidas, dañadas o ilegibles.		

**NOTA:** Revise las secciones de mantenimiento e inspección para más detalles.

### FRECUENCIA DE LA INSPECCIÓN

**Frecuente** - Indica que los elementos requieren una inspección diaria o antes de cada uso. Estas inspecciones deben ser llevadas a cabo por el operario si está designado previamente para ello.

**Periódica** - Indica que los elementos requieren una inspección cada tres meses. Las inspecciones deben ser llevadas a cabo por o bajo la dirección de una persona designada previamente para ello. El periodo exacto de inspección dependerá de la frecuencia y el tipo de uso. La determinación de este periodo se basará en la experiencia del usuario. Se recomienda que el usuario comience con inspección trimestral y extienda el periodo a semianual o anual basándose en las experiencias trimestrales.

**NOTA:** Esta lista de verificación de inspección y mantenimiento cumple con nuestra interpretación de los requisitos de la Norma de seguridad para polipastos de palanca ASME B30.21. Sin embargo, la responsabilidad última de interpretar y cumplir con los requisitos aplicables de esta norma de seguridad recae en el empleador/usuario.

**Figura 14 - Lista de inspecciones recomendadas y de mantenimiento**



# TABLA DE RESOLUCIÓN DE PROBLEMAS

Síntoma	Causa probable	Acción a seguir
Dureza de funcionamiento del polipasto en cualquier dirección.	<ol style="list-style-type: none"> <li>1. Cadena de carga con desgaste excesivo, que se atasca entre la rueda de elevación y la guía.</li> <li>2. Cadena de carga oxidada, corroída u obstruida con elementos extraños tales como cemento o barro.</li> <li>3. Casquillos obstruidos con materiales como cemento o polvo.</li> <li>4. Palanca que se engancha.</li> <li>5. Piezas del freno corroídas u obstruidas por materiales extraños.</li> <li>6. Bolsillos de la rueda de elevación obstruidos con materiales extraños o excesivo desgaste; lo que causa que la cadena se atasque entre la rueda de elevación y la guía.</li> <li>7. Rueda de elevación retorcida o doblada - Dientes de engranajes doblados.</li> </ol>	<ol style="list-style-type: none"> <li>1. Compruebe la cadena, (Vea la página 7) y cámbiela si el desgaste es excesivo.</li> <li>2. Limpie la cadena con un pulidor o utilizando un disolvente no cáustico ni ácido. Compruebe que la cadena no tenga eslabones dañados, doblados o rotos. Lubrique con aceite Lubriplate® 10-R para cadenas y barras (Fiske Bros. Refining Co.) o un lubricante similar.</li> <li>3. Desmonte y limpie los casquillos de la rueda de elevación y los casquillos de la cubierta del engranaje y la placa lateral (lado del engranaje). Deben reemplazarse todas las piezas con desgaste excesivo.</li> <li>4. Limpie y quite cualquier elemento extraño que pueda estar entre la palanca y la tapa del freno.</li> <li>5. Desmonte el freno y límpielo cuidadosamente (con un trapo, no mojándolo con un disolvente). Cambie los discos si están demasiado brillantes, desgastados o rayados. Mantenga los discos y las superficies del freno secas y limpias.</li> <li>6. Limpie los bolsillos y vuelva a usarlos si no están excesivamente desgastados. Cambie la rueda de elevación si los bolsillos están desgastados.</li> <li>7. Se ha aplicado una sobrecarga. Reemplace las partes dañadas.</li> </ol>
Dureza de funcionamiento del polipasto hacia abajo.	<ol style="list-style-type: none"> <li>1. Piezas del freno corroídas u obstrucciones con materiales extraños.</li> <li>2. Cadena doblada.</li> </ol>	<ol style="list-style-type: none"> <li>1. Desmonte el freno y límpielo a fondo (restregándolo con un paño, sin lavarlo con solvente). Reemplace el conjunto de rueda dentada si está muy pegajoso, desgastado o rayado. Mantenga las superficies del freno limpias y secas.</li> <li>2. Compruebe la cadena, (Vea la página 7) y reemplácela si está excesivamente desgastada. Limpie la cadena con un pulimento o utilizando un disolvente no cáustico ni ácido. Compruebe que la cadena no tenga eslabones dañados, doblados o rotos. Lubrique con aceite Lubriplates 10-R para cadenas y barras (Fiske Bros. Refining Co.) o un lubricante similar.</li> </ol>
Dureza de funcionamiento del polipasto hacia arriba.	<ol style="list-style-type: none"> <li>1. Cadena doblada.</li> <li>2. Sobrecarga.</li> </ol>	<ol style="list-style-type: none"> <li>1. Compruebe la cadena, (Vea la página 7) y reemplácela si está excesivamente desgastada. Limpie la cadena con un pulimento o utilizando un disolvente no cáustico ni ácido. Compruebe que la cadena no tenga eslabones dañados, doblados o... Lubrique con aceite Lubriplates 10-R para cadenas y barras (Fiske Bros. Refining Co.) o un lubricante similar.</li> <li>2. Reduzca la carga o utilice una unidad de la capacidad de carga correcta.</li> </ol>

# POLIPASTO MANUAL DE PALANCA DE CM BANDIT DE 0,75 Y 1,5 TONELADAS

## LISTA DE PIEZAS DE REPUESTO

Proporcione la siguiente información:

- Número de modelo
- Número de serie
- Descripción y número de la pieza como se muestra en la lista

Número de pieza	Número de artículo	Descripción	Cantidad
<b>BAN-0001</b>		<b>KIT DE ENGRANAJES PARA UNIDAD DE 0,75 TONELADAS</b>	
-	34	Conjunto de engranaje cilíndrico	2
-	2	Eje de propulsión	1
-	22	Arandela del eje de propulsión	1
-	26	Pasador de horquilla	1
<b>BAN-0002</b>		<b>KIT DE ENGRANAJES PARA UNIDAD DE 1,5 TONELADAS</b>	
-	35	Conjunto de engranaje cilíndrico	1
-	34	Conjunto de engranaje cilíndrico	1
-	2	Eje de propulsión	1
-	22	Arandela del eje de propulsión	1
-	26	Pasador de horquilla	1
<b>BAN-0010</b>		<b>POLEA DE CARGA Y KIT DE ENGRANAJES PARA UNIDAD DE 0,75 TONELADAS</b>	
-	5	Polea de carga	1
-	22	Arandela del eje de propulsión	1
-	26	Pasador de horquilla	1
<b>BAN-0011</b>		<b>POLEA DE CARGA Y KIT DE ENGRANAJES PARA UNIDAD DE 1,5 TONELADAS</b>	
-	5	Polea de carga	1
-	22	Arandela del eje de propulsión	1
-	26	Pasador de horquilla	1
<b>BAN-0020</b>		<b>KIT DE PLACA LATERAL PARA UNIDAD DE 0,75 TONELADAS</b>	
-	4	Conjunto de placa lateral de engranaje	1
-	25	Contratuercas M8	8
-	8	Conjunto de placa lateral de la palanca	1
-	26	Pasador de horquilla	1
<b>BAN-0021</b>		<b>KIT DE PLACA LATERAL PARA UNIDAD DE 1,5 TONELADAS</b>	
-	4	Conjunto de placa lateral de engranaje	1
-	25	Contratuercas M8	8
-	8	Conjunto de placa lateral de la palanca	1
-	26	Pasador de horquilla	1
<b>BAN-0030</b>		<b>KIT DE SEPARADOR PARA UNIDAD DE 0,75 TONELADAS</b>	
-	6	Guía	2
-	7	Separador	1
-	26	Pasador de horquilla	1
<b>BAN-0031</b>		<b>KIT DE SEPARADOR PARA UNIDAD DE 1,5 TONELADAS</b>	
-	6	Guía	2
-	7	Separador	1
-	26	Pasador de horquilla	1
<b>BAN-0040</b>		<b>KIT DE ENGRANAJES DE LEVAS PARA UNIDAD DE 0,75 y 1,5 TONELADAS</b>	
-	16	Leva	1
-	14	Engranaje inversor	1
-	26	Pasador de horquilla	1
<b>BAN-0041</b>		<b>KIT LIMITADOR DE SOBRECARGA PARA UNIDAD DE 0,75 TONELADAS</b>	
-	16	Leva	1
-	14L	Limitador de sobrecarga	1
-	26	Pasador de horquilla	1
<b>BAN-0042</b>		<b>KIT LIMITADOR DE SOBRECARGA PARA UNIDAD DE 1,5 TONELADAS</b>	
-	16	Leva	1
-	14L	Limitador de sobrecarga	1
-	26	Pasador de horquilla	1
<b>BAN-0050</b>		<b>KIT DE MANIVELA PARA UNIDAD DE 0,75 TONELADAS</b>	
-	15	Conjunto de manivela de la palanca	1
-	24	Contratuercas M6	1
-	23	Tuerca hexagonal M6	2
-	27	Tornillo de cabeza hexagonal	1
-	26	Pasador de horquilla	1
<b>BAN-0051</b>		<b>KIT DE MANIVELA PARA UNIDAD DE 1,5 TONELADAS</b>	
-	15	Conjunto de manivela de la palanca	1

# POLIPASTO MANUAL DE PALANCA DE CM BANDIT DE 0,75 Y 1,5 TONELADAS

## LISTA DE PIEZAS DE REPUESTO (Continuación)

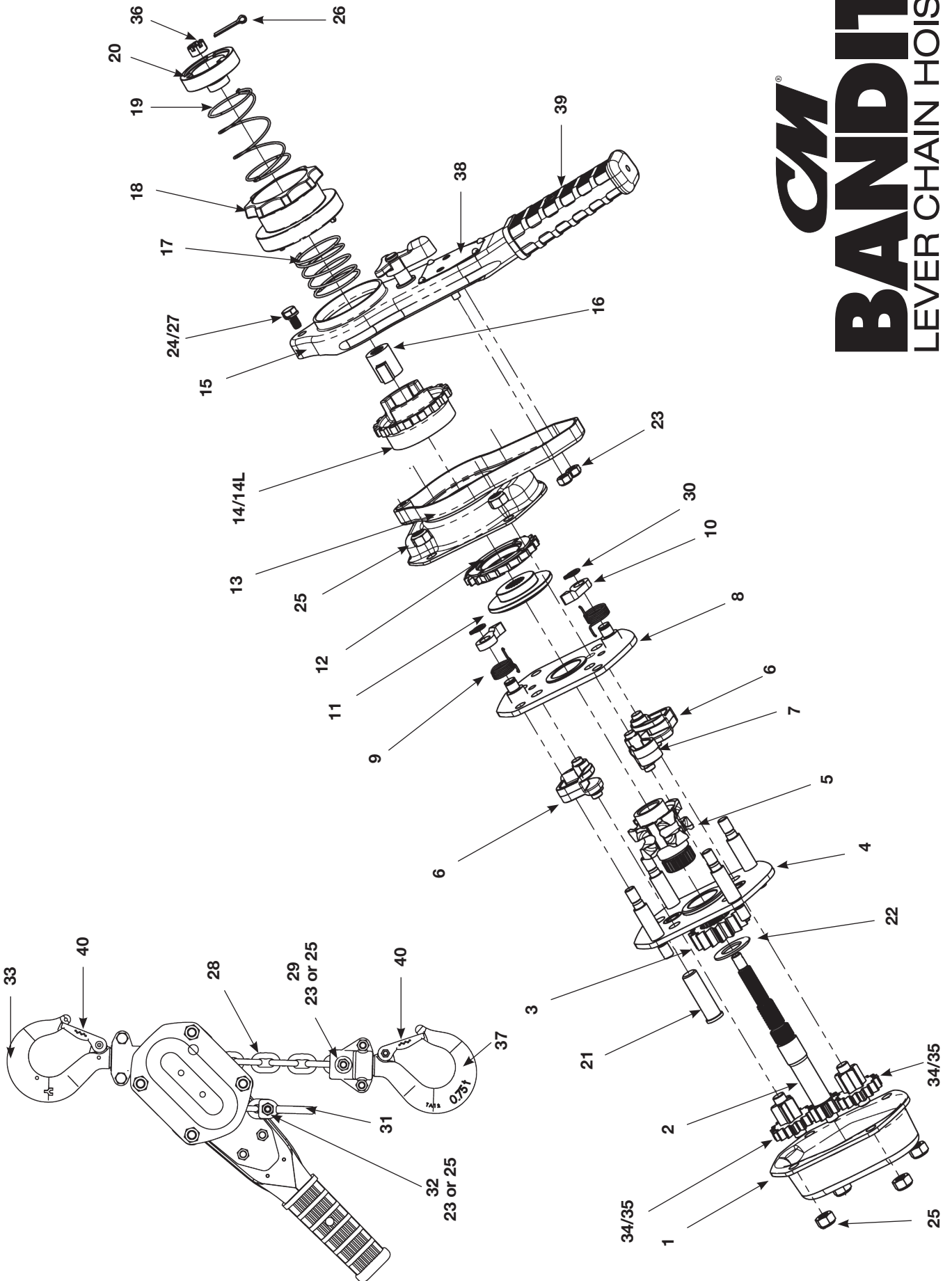
Número de pieza	Número de artículo	Descripción	Cantidad
-	24	Contratuercas M6	1
-	23	Tuerca hexagonal M6	2
-	27	Tornillo de cabeza hexagonal	1
-	26	Pasador de horquilla	1
<b>BAN-0060</b>		<b>KIT DE RESORTE PARA UNIDAD DE 0,75 y 1,5 TONELADAS</b>	
-	17	Resorte de torsión	1
-	19	Resorte de torsión	1
-	26	Pasador de horquilla	1
<b>BAN-0070</b>		<b>KIT DE RUEDA DENTADA PARA UNIDAD DE 0,75 y 1,5 TONELADAS</b>	
-	11	Cubo del disco	1
-	12	Conjunto de disco de rueda dentada	1
-	26	Pasador de horquilla	1
<b>BAN-0080</b>		<b>KIT DE LA CUBIERTA DEL FRENO PARA UNIDAD DE 0,75 TONELADAS</b>	
-	25	Contratuercas M8	4
-	13	Conjunto de la cubierta del freno	1
-	23	Tuerca hexagonal M6	2
-	24	Contratuercas M6	1
-	27	Tornillo de cabeza hexagonal	1
-	26	Pasador de horquilla	1
<b>BAN-0081</b>		<b>KIT DE LA CUBIERTA DEL FRENO PARA UNIDAD DE 1,5 TONELADAS</b>	
-	25	Contratuercas M8	4
-	13	Conjunto de la cubierta de freno	1
-	23	Tuerca hexagonal M6	2
-	24	Contratuercas M6	1
-	27	Tornillo de cabeza hexagonal	1
-	26	Pasador de horquilla	1
<b>BAN-0082</b>		<b>KIT DE LA CUBIERTA DEL FRENO PARA UNIDAD DE 0,75 TONELADAS</b>	
-	25	Contratuercas M8	4
-	1	Conjunto de caja de engranajes	1
-	26	Pasador de horquilla	1
<b>BAN-0083</b>		<b>KIT DE LA CUBIERTA DEL FRENO PARA UNIDAD DE 1,5 TONELADAS</b>	
-	25	Contratuercas M8	4
-	1	Conjunto de caja de engranajes	1
-	26	Pasador de horquilla	1
<b>BAN-0090</b>		<b>KIT HERRAJES PARA UNIDAD DE 0,75 TONELADAS</b>	
-	31	Anillo de retención	1
-	32	Tornillo del anillo de retención	1
-	23	Tuerca hexagonal M6	1
-	26	Pasador de horquilla	1
<b>BAN-0091</b>		<b>KIT DE HERRAJES PARA UNIDAD DE 1,5 TONELADAS</b>	
-	31	Anillo de retención	1
-	32	Tornillo del anillo de retención	1
-	25	Tuerca hexagonal M8	1
-	26	Pasador de horquilla	1
<b>BAN-0100</b>		<b>KIT DE TRINQUETE PARA UNIDAD DE 0,75 y 1,5 TONELADAS</b>	
-	9	Resorte de trinquete	2
-	10	Trinquete	2
-	30	Anillo a presión de 9 mm	2
-	26	Pasador de horquilla	1
<b>BAN-0110</b>		<b>KIT DE ALOJAMIENTO DEL RESORTE PARA UNIDAD DE 0,75 y 1,5 TONELADAS</b>	
-	17	Resorte de torsión	1
-	18	Volante	1
-	19	Resorte de torsión	1
-	20	Alojamiento del resorte de torsión	1
-	36	Tuerca almenada	1
-	26	Pasador de horquilla	1
<b>BAN-0120</b>		<b>KIT DE CONJUNTO DEL GANCHO SUPERIOR PARA UNIDAD DE 0,75 TONELADAS - HECHO EN EE.UU</b>	
-	33	Gancho para unidad de 0,75 toneladas	1
-	-	Suspensión superior para unidad de 0,75 toneladas	2
-	-	Kit de sujeción	1
-	-	Perno de bloqueo del gancho	2

# POLIPASTO MANUAL DE PALANCA DE CM BANDIT DE 0,75 Y 1,5 TONELADAS

## LISTA DE PIEZAS DE REPUESTO (Continuación)

Número de pieza	Número de artículo	Descripción	Cantidad
-	-	Tuerca hexagonal M6	2
<b>BAN-0120C</b>		<b>KIT DE CONJUNTO DEL GANCHO SUPERIOR PARA UNIDAD DE 0,75 TONELADAS</b>	
-	33	Gancho para unidad de 0,75 toneladas	1
-	-	Suspensión superior para unidad de 0,75 toneladas	2
-	-	Kit de sujeción	1
-	-	Perno de bloqueo del gancho	2
-	-	Tuerca hexagonal M6	2
<b>BAN-0121</b>		<b>KIT DE CONJUNTO DEL GANCHO SUPERIOR PARA UNIDAD DE 1,5 TONELADAS - HECHO EN EE.UU</b>	
-	33	Gancho para unidad de 1,5 toneladas	1
-	-	Suspensión superior para unidad de 1,5 toneladas	2
-	-	Kit de sujeción	1
-	-	Perno de bloqueo del gancho	2
-	-	Tuerca hexagonal M6	2
<b>BAN-0121C</b>		<b>KIT DE CONJUNTO DEL GANCHO SUPERIOR PARA UNIDAD DE 1,5 TONELADAS</b>	
-	33	Gancho para unidad de 1,5 toneladas	1
-	-	Suspensión superior para unidad de 1,5 toneladas	2
-	-	Kit de sujeción	1
-	-	Perno de bloqueo del gancho	2
-	-	Tuerca hexagonal M6	2
<b>BAN-0130</b>		<b>KIT DE CONJUNTO DEL GANCHO INFERIOR PARA UNIDAD DE 0,75 TONELADAS - HECHO EN EE.UU</b>	
-	37	Gancho para unidad de 0,75 toneladas	1
-	-	Bloqueo del gancho inferior para unidad de 0,75 toneladas	2
-	-	Kit de sujeción	1
-	-	Perno de bloqueo del gancho	2
-	29	Perno de la cadena del gancho inferior	1
-	-	Tuerca hexagonal M6	2
<b>BAN-0130C</b>		<b>KIT DE CONJUNTO DEL GANCHO INFERIOR PARA UNIDAD DE 0,75 TONELADAS</b>	
-	37	Gancho para unidad de 0,75 toneladas	1
-	-	Bloqueo del gancho inferior para unidad de 0,75 toneladas	2
-	-	Kit de sujeción	1
-	-	Perno de bloqueo del gancho	2
-	29	Perno de la cadena del gancho inferior	1
-	-	Tuerca hexagonal M6	2
<b>BAN-0131</b>		<b>KIT DE CONJUNTO DEL GANCHO INFERIOR PARA UNIDAD DE 1,5 TONELADAS - HECHO EN EE.UU</b>	
-	37	Bloqueo del gancho inferior para unidad de 1,5 toneladas	2
-	-	Gancho para unidad de 1,5 toneladas	1
-	-	Kit de sujeción	1
-	-	Perno de bloqueo del gancho	2
-	29	Perno de la cadena del gancho inferior	1
-	-	Tuerca hexagonal M6	2
<b>BAN-0131C</b>		<b>KIT DE CONJUNTO DEL GANCHO INFERIOR PARA UNIDAD DE 1,5 TONELADAS</b>	
-	37	Bloqueo del gancho inferior para unidad de 1,5 toneladas	2
-	-	Gancho para unidad de 1,5 toneladas	1
-	-	Kit de sujeción	1
-	-	Perno de bloqueo del gancho	2
-	29	Perno de la cadena del gancho inferior	1
-	-	Tuerca hexagonal M6	2
<b>BAN-0140</b>		<b>KIT DE REEMPLAZO DE EMPUÑADURA PARA UNIDAD DE 0,75 TONELADAS</b>	
-	39	Empuñadura para unidad de 0,75 toneladas (incluye tornillo y tuerca)	1
-	-	Cola	1
<b>BAN-0141</b>		<b>KIT DE REEMPLAZO DE EMPUÑADURA PARA UNIDAD DE 1,5 TONELADAS</b>	
-	39	Empuñadura para unidad de 1,5 toneladas (incluye tornillo y tuerca)	1
-	-	Cola	1
<b>T56Z</b>	<b>28</b>	<b>CADENA DE CARGA PARA UNIDAD DE 0,75 TONELADAS</b>	-
<b>85961Z</b>	<b>28</b>	<b>CADENA DE CARGA PARA UNIDAD DE 1,5 TONELADAS</b>	-
<b>00002034</b>	<b>21</b>	<b>EJE DE GANCHO SUPERIOR PARA UNIDAD DE 0,75 TONELADAS</b>	<b>1</b>
<b>00002137</b>	<b>21</b>	<b>EJE DE GANCHO SUPERIOR PARA UNIDAD DE 1,5 TONELADAS</b>	<b>1</b>
<b>53850</b>	<b>40</b>	<b>KIT DE SUJECIÓN PARA UNIDAD DE 0,75 TONELADAS</b>	<b>1</b>
<b>53821</b>	<b>40</b>	<b>KIT DE SUJECIÓN PARA UNIDAD DE 1,5 TONELADAS</b>	<b>1</b>
<b>00002027</b>	<b>15</b>	<b>CONJUNTO DE MANIVELA DE LA PALANCA PARA UNIDAD DE 0,75 TONELADAS</b>	<b>1</b>
<b>00002130</b>	<b>15</b>	<b>CONJUNTO DE MANIVELA DE LA PALANCA PARA UNIDAD DE 1,5 TONELADAS</b>	<b>1</b>

**DIAGRAMA DE PIEZAS UNIDAD DE 0,75 Y 1,5 TONELADAS**



**CM**  
**BANDIT**<sup>TM</sup>  
 LEVER CHAIN HOIST

**ESPAÑOL**

# POLIPASTO MANUAL DE PALANCA CM BANDIT DE 3 Y 6 TONELADAS

## LISTA DE PIEZAS DE REPUESTO

Proporcione la siguiente información:

- Número de modelo
- Número de serie
- Descripción y número de la pieza como se muestra en la lista

Número de pieza	Número de artículo	Descripción	Cantidad
<b>BAN-0003</b>		<b>KIT DE ENGRANAJES PARA UNIDAD DE 3 Y 6 TONELADAS</b>	
-	35	Engranaje de carga	1
-	34	Conjunto de engranaje cilíndrico	2
-	2	Eje de propulsión	1
-	22	Arandela del eje de propulsión	1
-	26	Pasador de horquilla	1
<b>BAN-0012</b>		<b>POLEA DE CARGA PARA UNIDAD DE 3 Y 6 TONELADAS</b>	
-	5	Polea de carga	1
-	3A	Rodamiento del engranaje de carga	2
-	26	Pasador de horquilla	1
<b>BAN-0022</b>		<b>KIT DE PLACA LATERAL PARA UNIDAD DE 3 Y 6 TONELADAS</b>	
-	4	Conjunto de placa lateral de engranaje	1
-	25	Contratuercas M8	8
-	8	Conjunto de placa lateral de la palanca	1
-	26	Pasador de horquilla	1
<b>BAN-0032</b>		<b>KIT DE SEPARADOR PARA UNIDAD DE 3 Y 6 TONELADAS</b>	
-	6	Guía	2
-	7	Separador	1
-	26	Pasador de horquilla	1
<b>BAN-0043</b>		<b>KIT DE ENGRANAJES DE LEVAS PARA UNIDAD DE 3 Y 6 TONELADAS</b>	
-	16	Leva	1
-	14	Engranaje inversor	1
-	26	Pasador de horquilla	1
<b>BAN-0044</b>		<b>KIT LIMITADOR DE SOBRECARGA PARA UNIDAD DE 3 Y 6 TONELADAS</b>	
-	16	Leva	1
-	14L	Limitador de sobrecarga	1
-	26	Pasador de horquilla	1
<b>BAN-0052</b>		<b>KIT DE MANIVELA PARA UNIDAD DE 3 Y 6 TONELADAS</b>	
-	15	Conjunto de palanca	1
-	24	Contratuercas M6	1
-	23	Tuerca hexagonal M8	2
-	27	Tornillo de cabeza hexagonal	1
-	26	Pasador de horquilla	1
<b>BAN-0061</b>		<b>KIT DE RESORTE PARA UNIDAD DE 3 Y 6 TONELADAS</b>	
-	17	Resorte de torsión	1
-	19	Resorte de torsión	1
-	26	Pasador de horquilla	1
<b>BAN-0071</b>		<b>KIT DE RUEDA DENTADA PARA UNIDAD DE 3 Y 6 TONELADAS</b>	
-	11	Cubo del disco	1
-	12	Conjunto de disco de rueda dentada	1
-	26	Pasador de horquilla	1
<b>BAN-0084</b>		<b>KIT DE LA CUBIERTA DEL FRENO PARA UNIDAD DE 3 Y 6 TONELADAS</b>	
-	25	Contratuercas M8	4
-	13	Conjunto de la cubierta de freno	1
-	24	Contratuercas M6	1
-	23	Tuerca hexagonal M8	2
-	27	Tornillo de cabeza hexagonal	1
-	26	Pasador de horquilla	1
<b>BAN-0085</b>		<b>KIT DE CUBIERTA DEL ENGRANAJE PARA UNIDAD DE 3 Y 6 TONELADAS</b>	
-	25	Contratuercas M8	10
-	1	Conjunto de caja de engranajes	1
-	26	Pasador de horquilla	1

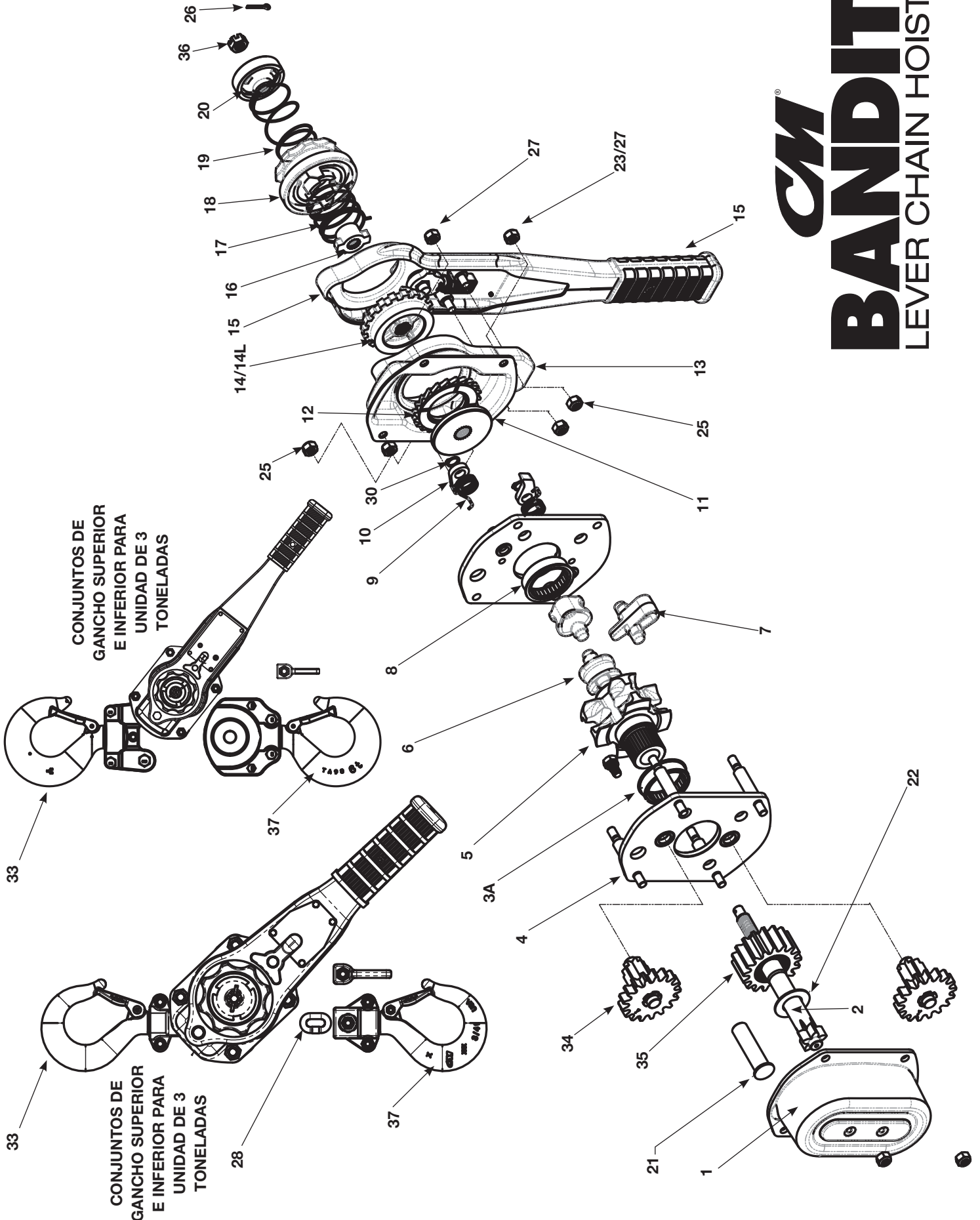
# POLIPASTO MANUAL DE PALANCA CM BANDIT DE 3 Y 6 TONELADAS

## LISTA DE PIEZAS DE REPUESTO (Continuación)

Número de pieza	Número de artículo	Descripción	Cantidad
<b>BAN-0092</b>		<b>KIT HERRAJES PARA UNIDAD DE 3 y 6 TONELADAS</b>	
–	31	Anillo de retención	1
–	32	Tornillo del anillo de retención	1
–	–	Contratuercas M10	1
–	26	Pasador de horquilla	1
<b>BAN-0101</b>		<b>KIT DE TRINQUETE PARA UNIDAD DE 3 Y 6 TONELADAS</b>	
–	9	Resorte de trinquete	2
–	10	Trinquete	2
–	30	Anillo a presión de 9 mm	2
–	26	Pasador de horquilla	1
<b>BAN-0111</b>		<b>KIT DE GANCHO DE RESORTE PARA UNIDAD DE 3 Y 6 TONELADAS</b>	
–	17	Resorte de torsión	1
–	18	Volante	1
–	19	Resorte de torsión	1
–	20	Alojamiento del resorte de torsión	1
–	36	Tuerca almenada	1
–	26	Pasador de horquilla	1
<b>BAN-0122</b>		<b>KIT DE GANCHO SUPERIOR PARA UNIDAD DE 3 TONELADAS</b>	
–	33	Conjunto de suspensión superior	1
–	–	Suspensión superior	1
–	–	Kit de sujeción	1
–	–	Perno de bloqueo del gancho	1
–	–	Tuerca hexagonal M6	1
<b>BAN-0123</b>		<b>KIT DE GANCHO SUPERIOR PARA UNIDAD DE 6 TONELADAS</b>	
–	33	Conjunto de suspensión superior	1
–	–	Suspensión superior	1
–	–	Kit de sujeción	1
–	–	Perno de bloqueo del gancho	1
–	–	Tuerca hexagonal M6	1
<b>BAN-0132</b>		<b>KIT DE GANCHO INFERIOR PARA UNIDAD DE 3 TONELADAS</b>	
–	37	Conjunto del gancho inferior	1
–	–	Gancho	1
–	–	Kit de sujeción	1
–	–	Perno de bloqueo del gancho	1
–	29	Perno de la cadena del gancho inferior	1
–	–	Tuerca hexagonal M6	1
<b>BAN-0133</b>		<b>KIT DE GANCHO INFERIOR PARA UNIDAD DE 6 TONELADAS</b>	
–	37	Conjunto del gancho inferior	1
–	–	Gancho	1
–	–	Kit de sujeción	1
–	–	Perno de bloqueo del gancho	1
–	29	Perno de la cadena del gancho inferior	1
–	–	Tuerca hexagonal M6	1
<b>BAN-0142</b>		<b>KIT DE REEMPLAZO DE EMPUÑADURA PARA UNIDAD DE 3 Y 6 TONELADAS</b>	
–	15	Empuñadura para unidad de 3 y 6 toneladas (incluye tornillo y tuerca)	1
–	–	Cola	1
<b>85394</b>	<b>28</b>	<b>CADENA DE CARGA PARA UNIDAD DE 3 Y 6 TONELADAS</b>	–
<b>00002331</b>	<b>21</b>	<b>EJE DE GANCHO SUPERIOR PARA UNIDAD DE 3 Y 6 TONELADAS</b>	<b>1</b>
<b>53822</b>	–	<b>KIT DE SUJECIÓN PARA UNIDAD DE 3 TONELADAS</b>	<b>1</b>
<b>53940</b>	–	<b>KIT DE SUJECIÓN PARA UNIDAD DE 6 TONELADAS</b>	<b>1</b>
<b>00002324</b>	<b>15</b>	<b>CONJUNTO DE MANIVELA DE LA PALANCA</b>	<b>1</b>

**DIAGRAMA DE PIEZAS 3 Y 6 TONELADAS**

**ESPAÑOL**



**CM**  
**BANDIT**<sup>TM</sup>  
 LEVER CHAIN HOIST





# INFORMATIONS SUR LA GARANTIE

## OPÉRATION SÉCURITAIRE ET INDEMNISATION

L'acheteur devra se conformer et obtenir de ses employés de se conformer aux directives établies dans les manuels et instructions fournis par le vendeur et devra utiliser et obtenir de ses employés l'observance de ces manuels et instructions et de prendre un soin raisonnable à l'utilisation et l'entretien du matériel. L'acheteur ne devra pas enlever ou permettre à quiconque d'enlever tout affichage d'instruction ou d'avertissement sur le matériel. En cas de blessure ou de dommages à la propriété ou commerce dû à l'utilisation du matériel, l'acheteur doit aviser le vendeur par écrit en moins de 48 heures de l'incident. L'acheteur devra coopérer avec le vendeur dans l'investigation de cause de telles blessures ou dommages et pour la défense contre toute réclamation résultante.

Si l'acheteur ne se conforme pas à cette section ou si toute blessure ou dommage est causé en partie ou en entier par le manque de l'acheteur de se conformer aux exigences de sécurité fédérales ou provinciales applicables, l'acheteur devra indemniser et dégager le vendeur de toute réclamation, pertes ou dépenses pour blessures ou dommages résultant de l'utilisation du matériel.

## GARANTIE CMCO (PALANS)

- A. Columbus McKinnon Corporation (le « Vendeur ») garantit à l'utilisateur final initial (l'« Acheteur ») que : (a) pendant la durée de vie des Produits, les composants mécaniques des Produits seront exempts de défauts de fabrication et de matière.
- B. EN CAS DE RÉCLAMATION DE GARANTIE, LA SEULE OBLIGATION DU VENDEUR SERA LIMITÉE EXCLUSIVEMENT À LA RÉPARATION OU AU REMPLACEMENT AU POINT DE VENTE F.A.B., AU GRÉ DU VENDEUR, DE TOUTE PIÈCE JUGÉE DÉFECTUEUSE PAR LE VENDEUR OU SI LE VENDEUR DÉTERMINE QUE TELLE RÉPARATION OU REMPLACEMENT N'EST PAS RÉALISABLE, À UN REMBOURSEMENT DU PRIX D'ACHAT SUR RETOUR DU MATÉRIEL AU VENDEUR. AUCUNE RÉCLAMATION CONTRE LE VENDEUR LIÉE À LA RUPTURE DE (i) CETTE GARANTIE CONCERNANT LES COMPOSANTS ÉLECTRIQUES DES PRODUITS NE SERA VALIDE NI EXÉCUTOIRE EN L'ABSENCE DE RÉCEPTION PAR LE VENDEUR D'UN AVIS ÉCRIT À CE SUJET DE LA PART DE L'ACHETEUR DANS UN DÉLAI D'UN (1) AN SUIVANT LA DATE DE LIVRAISON DU VENDEUR AU TRANSPORTEUR ET (ii) CETTE GARANTIE CONCERNANT LES COMPOSANTS MÉCANIQUES DES PRODUITS NE SERA VALIDE NI EXÉCUTOIRE EN L'ABSENCE DE RÉCEPTION PAR LE VENDEUR D'UN AVIS ÉCRIT À CE SUJET DE LA PART DE L'ACHETEUR DANS UN DÉLAI D'UN (1) AN SUIVANT LA DATE À LAQUELLE CETTE RÉCLAMATION PRÉSUMÉE EST SURVENUE. À L'EXCEPTION DE LA GARANTIE ÉNONCÉE CI-DESSUS, LE VENDEUR NE FOURNIT AUCUNE GARANTIE, EXPRESSE OU IMPLICITE, CONCERNANT LES PRODUITS, Y COMPRIS LES GARANTIES DE COMMERCIALITÉ, D'ADAPTATION À UN OBJECTIF PARTICULIER, DE QUALITÉ ET/OU EN VERTU DE LOIS OU DÉCOULANT D'UNE OPÉRATION COMMERCIALE OU D'UN USAGE DU COMMERCE, TOUTES ÉTANT EXPRESSÉMENT REJETÉES PAR LES PRÉSENTES.
- C. EN AUCUN CAS LE VENDEUR NE POURRA ÊTRE TENU RESPONSABLE À L'ÉGARD DE L'ACHETEUR OU D'UNE TIERCE PARTIE CONCERNANT LES PRODUITS, QUE CE SOIT EN VERTU DU CONTRAT, DE DÉLITS OU EN RAPPORT AVEC UN AUTRE PRINCIPE DE DROIT, DE PERTES DE PROFITS OU PERTES DE JOUISSANCE, OU CONCERNANT DES DOMMAGES ACCESSOIRES, CIRCONSTANCIELS, SPÉCIAUX, DIRECTS OU INDIRECTS, QUELLE QU'EN SOIT LA CAUSE. LA RESPONSABILITÉ MAXIMALE DU VENDEUR À L'ÉGARD DE L'ACHETEUR CONCERNANT LES PRODUITS NE POURRA EN AUCUN CAS DEPASSER LE PRIX PAYÉ PAR L'ACHETEUR POUR LES PRODUITS FAISANT L'OBJET DE LA RÉCLAMATION.
- D. Le vendeur ne sera responsable d'aucun dommage, d'aucune blessure ou perte résultant de l'utilisation du matériel si au préalable d'un tel dommage, d'une telle blessure ou perte le dit matériel est : (1) endommagé ou utilisé de façon inadéquate après sa remise au transporteur; (2) non entretenu, inspecté ou utilisé en accord avec les règlements applicables et les instructions et recommandations écrites du vendeur; ou (3) installé, réparé, altéré ou modifié sans respecter de tels règlements, instructions ou recommandations.
- E. Cette garantie est limitée et fournie uniquement à l'utilisateur final initial. En plus de la garantie à vie sur le palan, les freins du Bandit sont garantis pendant trois ans. Si les disques de frein Bandit sont usés dans un délai de moins de trois ans à partir de la date d'achat, Columbus McKinnon remplacera gratuitement l'ensemble du disque à cliquet. Les freins doivent être réparés par un Centre de service autorisé Bandit reconnu par Columbus McKinnon. Consultez [www.cmworks.com](http://www.cmworks.com) pour une liste d'adresses.
- F. Toute action menée contre le Vendeur en cas de rupture de garantie, négligence ou concernant les composants électriques des Produits doit être initiée par l'Acheteur dans un délai d'un (1) an suivant : (a) la date à laquelle la réclamation présumée est survenue, ou (b) la date de livraison des Produits à l'acheteur, si cet événement est antérieur au premier. Toute action menée contre le Vendeur en cas de rupture de garantie, négligence ou concernant les composants mécaniques des Produits doit être initiée par l'Acheteur dans un délai d'un (1) an suivant la date à laquelle la réclamation présumée est survenue.

## LE SERVICE DE RÉPARATION ET DE PIÈCES POUR PALANS CM EST DISPONIBLE AUX ÉTATS-UNIS ET AU CANADA

Soyez assurés qu'en temps d'utilisateur de palan et treuil CM, d'un service de réparation et de pièces fiable par l'entremise d'un réseau de Centres de service et de Dépôts de pièces maîtresses qui sont stratégiquement situés aux États-Unis et au Canada. Ces établissements ont été sélectionnés sur une base de leur habileté démontrée à s'occuper promptement et efficacement des besoins de réparation de pièces. Appelez le (800) 888-0985. Fax: (716) 689-5644 pour obtenir rapidement le nom du dépôt de pièces maîtresses ou du centre de service situé le plus près.

*Note : Mentionnez toujours la charge nominale du palan, et son no. de série lorsque vous commandez des pièces de rechange.*

## **AVERTISSEMENT**

Si non prévenue, une utilisation inadéquate d'un palan peut créer une situation potentiellement dangereuse qui pourrait causer la mort ou de sérieuses blessures. Pour prévenir toute situation potentiellement dangereuse, l'opérateur doit:

1. **NE PAS** opérer un palan défectueux ou ayant un fonctionnement inhabituel.
2. **NE PAS** opérer le palan avant d'avoir bien lu et compris ce manuel.
3. **NE PAS** utiliser un palan qui a été modifié sans l'approbation du manufacturier ou le sceau selon les normes applicables de l'OSHA.
4. **NE PAS** lever ou haler une charge excédant la capacité nominale du palan.
5. **NE PAS** utiliser un palan endommagé ou qui ne fonctionne pas convenablement.
6. **NE PAS** utiliser un palan ayant dont la chaîne de levage est tordue, déformée, usée ou endommagée.
7. **NE PAS** opérer le palan avec une barre d'extension du levier («cheater bar»).
8. **NE PAS** tenter de dégager la chaîne sous une charge.
9. **NE PAS** utiliser le palan pour lever, supporter ou transporter des personnes.
10. **NE PAS** soulever de charges au-dessus de personnes et s'assurer que la charge demeure éloignée de tout le personnel.
11. **NE PAS** essayer d'allonger la chaîne de levage ou de réparer une chaîne endommagée.
12. **PROTÉGER** la chaîne de levage des éclaboussures de soudage ou autres contaminants.
13. **NE PAS** opérer le palan lorsque la chaîne ne peut se tendre en ligne droite de crochet à crochet dans l'axe de charge.
14. **NE PAS** utiliser la chaîne de levage comme élingue ou enrouler la chaîne autour de la charge.
15. **NE PAS** appliquer la charge sur la pointe ou le loquet de verrouillage du crochet.
16. **NE PAS** appliquer la charge si la chaîne n'est pas proprement assise dans les roues et engrenages de chaîne.
17. **NE PAS** appliquer de charge si les roulements à billes ne permettent une charge égale sur toutes les chaînes de support de charge.
18. **NE PAS** opérer au-delà de la portée d'opération limite de la chaîne.
19. **NE PAS** laisser une charge suspendue sans surveillance à moins que des précautions spécifiques aient été prises.
20. **NE PAS** permettre l'utilisation de la chaîne ou du crochet comme masse électrique pour soudage ou autre.
21. **NE PAS** laisser la chaîne ou le crochet être touchée par une électrode de soudage sous tension.
22. **NE PAS** enlever ou cacher les signes d'avertissements sur le palan.
23. **NE PAS** utiliser un palan qui n'a pas été sécuritairement fixé à un support convenable.
24. **NE PAS** utiliser un palan sans que les élingues ou une autre amarre de calibre approuvé ne soient correctement assises dans le creux du crochet.
25. **NE PAS** soulever de charge qui n'est pas équilibrée et dont le levage n'est pas sécuritaire; la déposer avec précaution.
26. **NE PAS** opérer un palan sans que toutes les personnes ne soient à l'écart de la charge soutenue et le demeurent.
27. **ÉMETTRE UN AVIS** de fonctionnement inadéquat ou inhabituel d'un palan et le garder hors service jusqu'à ce qu'il soit réparé.
28. **NE PAS** utiliser un palan dont les plaques ou décalques de sécurité sont absentes ou illisibles.
29. **SE FAMILIARISER** avec les avertissements, commandes et procédures d'opération.

## **ATTENTION**

Si non prévenue, une utilisation inadéquate d'un palan peut créer une situation potentiellement dangereuse qui pourrait causer des blessures mineures ou moyennement sérieuses. Pour prévenir cette situation potentiellement dangereuse, l'opérateur doit:

1. Garder le pied ferme ou être autrement stable lors de l'opération du palan.
2. Vérifier le fonctionnement du frein en mettant de la tension sur le palan avant chaque opération de levage ou de halage.
3. Utiliser les loquets de verrouillage des crochets. Les loquets de verrouillage sont destinés à retenir les élingues, chaînes etc., en situation non tendue seulement.
4. S'assurer que les loquets de verrouillage des crochets sont fermés et ne subissent aucun effort de levage de la charge.
5. S'assurer que le champ de déplacement de la charge n'est pas obstrué par quoi que ce soit.
6. Ne pas balancer la charge ou le crochet.
7. Prévenir le rebondissement du levier en gardant une prise ferme du levier jusqu'à ce que l'opération du levier soit complète et que le levier soit en position de non-tension.
8. Inspecter le palan régulièrement, remplacer les pièces usées ou endommagées et garder un registre approprié d'entretien.
9. Utiliser les pièces Columbus McKinnon recommandées lors des réparations de l'unité.
10. Lubrifier la chaîne de levage selon les recommandations de ce manuel.
11. **NE PAS** opérer autrement qu'à la main.
12. **NE PAS** permettre à plus d'un opérateur de tirer sur le levier en même temps. Plus d'un opérateur causera vraisemblablement une surcharge du palan.
13. **NE PAS** laisser votre attention diverger de l'opération du palan.
14. **NE PAS** laisser le palan être soumis à l'abus causant des contacts sévères avec d'autres palans, structures ou autres objets.
15. **NE PAS** permettre l'ajustement ou la réparation de ce palan par des personnes qui ne sont pas qualifiées à exécuter ces dits ajustements ou réparations.

**Les palans sont destinés à un usage industriel général pour le déplacement de charges en dedans de leurs capacités de charge nominales. Avant d'installer et d'opérer le palan assurez-vous que l'application ne contrevient à aucune condition de manoeuvre sécuritaire.**

## **INFORMATION DE SÉCURITÉ GÉNÉRALE**

### **ENVIRONNEMENTS DANGEREUX**

N'utilisez pas les palans dans des endroits émettant des vapeurs inflammables, des liquides, des gaz ou toute poussière ou fibre combustible. N'utilisez pas de palan dans des environnements hautement corrosifs, abrasifs, humides ou pour des applications exposées à des températures en dessous de -23°C et au-dessus de 55°C.

### **DÉPLACEMENT DE CHARGES DANGEREUSES**

Les palans ne sont pas recommandés pour lever des matières qui pourraient causer des dommages importants en cas de chute. Le levage ou déplacement de matières qui pourraient exploser ou causer une contamination chimique ou radioactive nécessite des systèmes de support redondants à sûreté en cas de défaut intégrés, qui ne sont pas inclus dans ces palans.

## DESCRIPTION

Les palans à levier manuels CM Bandit sont des outils très versatiles qui peuvent être utilisés efficacement dans toutes les positions pour des tâches de halage, levage, traction ou d'étirement. Le couvercle protecteur et le levier sont fabriqués de plaques d'acier embouties. Les engrenages sont d'acier ayant subi un traitement thermique, les crochets supérieur et inférieur sont d'acier forgé, et la chaîne est en acier ayant subi un traitement thermique, de type à maillons soudés.

Les palans aux charges nominales de 3/4, 1-1/2, 3 et 6 tonnes sont disponibles et font l'objet de ce manuel. Ces palans peuvent être équipés de lève-pieds de 1,5, 3, 4,5 et 6 mètres (5, 10, 15 et 20 pi).

Des crochets avec loquet de verrouillage sont standard sur toutes les unités.

Les palans manuels à levier CM Bandit sont fabriqués selon les présentes spécifications et sont conformes, au moment de leur fabrication, aux sections applicables de la norme B30.21 Palans manuels à levier de l'American Society of Mechanical Engineers (ASME).

## SPÉCIFICATIONS

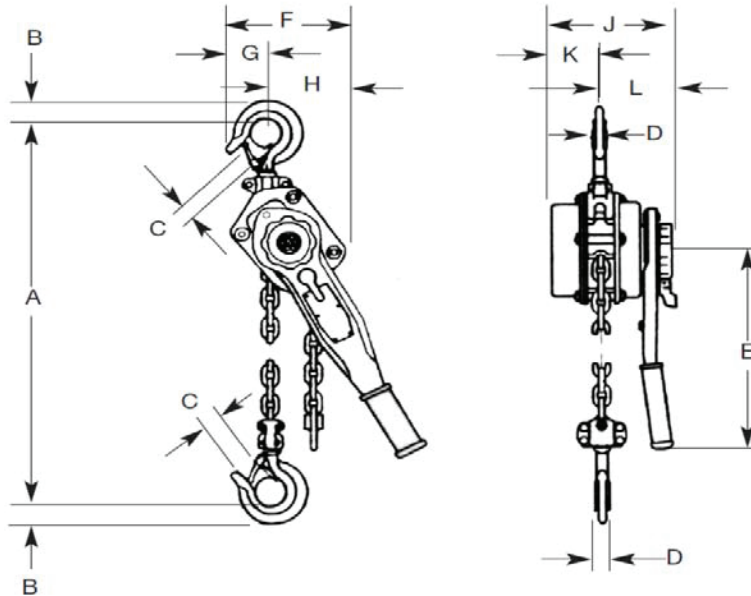


Figure 2 – Spécifications

No de modèle	Charge Nominale (Tonnes)	Portée ft. (m)	Force au Levier pour Charge Nominale lbf (kgf)	Poids Net lbs. (kg)	Dimensiones in. (mm)										
					A	B	C	D	E	F	G	H	J	K	L
BAN07505	0,75	5 (15)	45 (20,4)	13,6 (6,2)	12,8 (325)	0,94 (24)	1,13 (29)	0,69 (18)	9,63 (244)	4,88 (124)	2,19 (56)	3,31 (84)	6,06 (154)	2,11 (54)	3,95 (100)
BAN07510		10 (30)		15,7 (7,1)											
BAN07515		15 (45)		18 (8,1)											
BAN07520		20 (60)		20,1 (9,1)											
BAN075LCX		-		9,7 (4,4)											
BAN15005	1,5	5 (15)	64 (20,0)	20,7 (9,4)	14,2 (361)	1,13 (29)	1,25 (32)	0,81 (21)	10,25 (260)	5,63 (143)	2,38 (60)	3,56 (90)	6,75 (171)	2,69 (68)	4,12 (105)
BAN15010		10 (30)		24,3 (11)											
BAN15015		15 (45)		27,9 (12,7)											
BAN15020		20 (60)		31,5 (14,3)											
BAN150LCX		-		16,4 (7,4)											
BAN30005	3	5 (15)	73 (33,1)	38 (17,4)	17,5 (445)	1,69 (43)	1,56 (40)	1,25 (32)	16,37 (416)	7,52 (191)	3,38 (86)	4,65 (118)	7,84 (199)	3,29 (84)	4,56 (116)
BAN30010		10 (30)		45,7 (20,7)											
BAN30015		15 (45)		53 (24)											
BAN30020		20 (60)		60,4 (27,4)											
BAN300LCX		-		29,5 (13,4)											
BAN60005	6	5 (15)	85 (38,5)	63,2 (28,6)	22 (559)	1,81 (46)	2,19 (56)	1,5 (38)	16,37 (416)	9,47 (241)	3,38 (86)	6,05 (154)	7,84 (199)	3,29 (84)	4,56 (116)
BAN60010		10 (30)		77,9 (35,3)											
BAN60015		15 (45)		92,6 (42)											
BAN60020		20 (60)		107,3 (48,7)											
BAN600LCX		-		44,5 (20,2)											

## DÉBALLAGE

Après avoir déballé le matériel, inspectez soigneusement le palan pour détecter tout dommage ayant pu survenir durant le transport. S'assurer qu'aucune pièce n'est manquante, endommagée ou desserrée. Les réclamations de dommages doivent être faites au transporteur. Le palan est livré complètement assemblé et prêt à l'utilisation.

## POLITIQUE DE REMPLACEMENT ET DE RÉPARATION CM®

Tous les palans Bandit de Columbus McKinnon (CM) font l'objet d'inspections et de tests de performance avant leur expédition. Si un palan bien entretenu développe un problème de performance pendant la période de vie des biens et que cela est dû à un défaut de matériau ou de fabrication, tel que confirmé par CM, l'acheteur original a droit à une réparation ou un remplacement gratuit. En plus de la garantie à vie sur le palan, les freins du Bandit sont garantis pendant trois ans. Si les disques de frein Bandit sont usés dans un délai de moins de trois ans à partir de la date d'achat, Columbus McKinnon remplacera gratuitement l'ensemble du disque à cliquet. Les freins doivent être réparés par un Centre de service autorisé Bandit reconnu par Columbus McKinnon.

Cette politique de réparation/remplacement s'applique seulement aux palans CM Bandit installés, entretenus et utilisés selon les directives présentées dans ce manuel et exclut spécifiquement les problèmes dus à l'usure normale des palans, l'abus, une mauvaise installation, l'entretien inapproprié ou inadéquat, des effets hostiles de l'environnement et des réparations/modifications non autorisées. Nous nous réservons le droit de modifier des matériaux ou la conception si, à notre avis, le produit s'en améliorera. L'abus, la réparation par une personne non autorisée ou utilisation de pièces de remplacement non fournies par CM rendent la garantie nulle et pourraient rendre dangereuse l'utilisation du palan. Voir la confirmation de la commande pour les conditions de vente complètes. Reportez-vous également aux sections Limitations des garanties, Dommages et intérêts, Indemnisation et Utilisation sécuritaire.

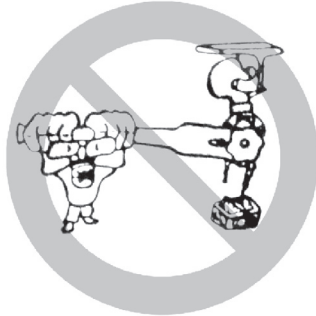
## INSTALLATION

Avant d'installer le palan :

1. Évaluez le poids de la charge à être levée ou déplacée et assurez-vous qu'elle n'exécède pas la capacité nominale du palan.
2. Assurez-vous que le support ou l'élingue auquel le crochet supérieur est fixé est suffisamment robuste pour supporter plusieurs fois le poids de la charge à lever ou déplacer. Assurez-vous que le palan est solidement maintenu dans la partie la plus élevée du crochet supérieur et que le verrou est fermé et ne fait pas contact avec le support ou l'élingue.

3. L'aire où le palan est installé doit être suffisamment spacieux pour :

- Que l'opérateur fasse fonctionner le palan.
- Que l'opérateur et les autres travailleurs puissent se tenir à l'écart de la charge en tout temps. - Que l'opérateur ait un pied ferme.



- Qu'il y ait dégagement entre le bâti du palan et tout objet. Le bâti doit être libre de pivoter sur le crochet supérieur.

### ⚠ AVERTISSEMENT

La fixation du palan à un support inadéquat peut causer la chute du palan et de la charge et produire des dégâts matériels et/ou blessures.

#### POUR PRÉVENIR LES BLESSURES:

Assurez-vous que la structure de maintien est suffisamment forte pour supporter plusieurs fois le palan chargé à pleine capacité.



## OPÉRATION

### ⚠ AVERTISSEMENT

Le palan à levier peut causer des blessures s'il n'est pas utilisé comme spécifié.

#### POUR PRÉVENIR LES BLESSURES:

Utiliser seulement comme spécifié ci-après. Lisez toutes les instructions avant d'opérer le palan manuel à levier CM Bandit.

## GÉNÉRAL

1. Le palan doit être gardé propre pour assurer une opération adéquate. Avant l'utilisation, assurez-vous que la chaîne de levage est propre, qu'il n'y a pas de matières étrangères dans le compartiment de la roue de levage et que le levier opère librement.
2. Ne pas charger outre la capacité nominale. Une surcharge peut causer une défaillance immédiate ou occasionner des dommages causant une défaillance future même sous une charge inférieure à la capacité nominale.
3. Ne pas utiliser ce palan ou tout autre équipement de manutention pour soulever ou déplacer des personnes ou soulever des charges de personnes.
4. Se tenir à l'écart des charges en tout temps et avertir les autres personnes de votre intention de transporter une charge dans leur secteur.
5. Ne pas laisser une charge sans surveillance sur l'unité.
6. Avant chaque opération, lire les avertissements qui sont sur le palan.
7. Ne pas tenir la chaîne de charge en opérant le palan. De sérieuses blessures pourraient survenir si elle faisait défaut.
8. Ne jamais opérer le palan en présence de vapeurs ou matières inflammables. Le contact entre des parties métalliques peut produire des étincelles pouvant causer une explosion ou un feu.
9. **DEMEUREZ ALERTE!** Surveillez ce que vous faites et utilisez votre bon sens. N'utilisez pas le palan lorsque vous êtes fatigué, préoccupé ou sous l'influence de drogues, d'alcool ou de médicaments causant la somnolence.

### ⚠ AVERTISSEMENT

Une défectuosité de l'unité, l'échappement d'un montage ou la perte du pied peut faire glisser l'opérateur et causer des blessures.

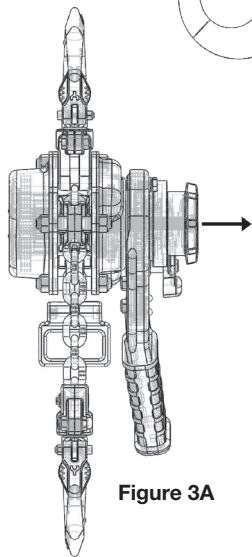
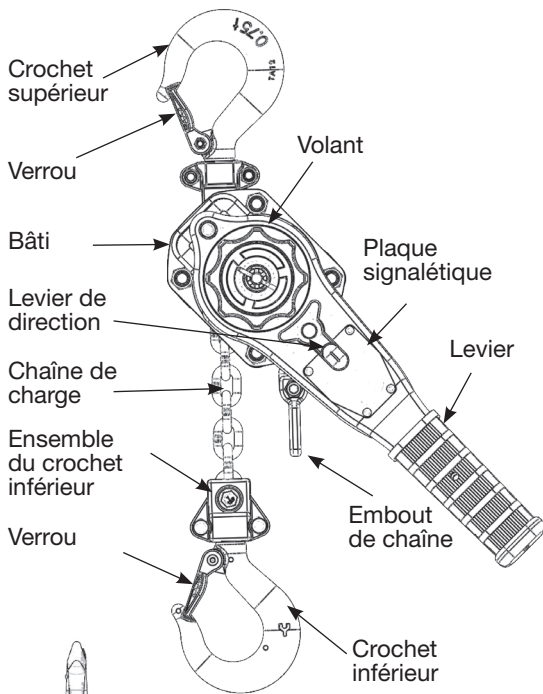
#### POUR PRÉVENIR LES BLESSURES:

Assurez-vous de toujours avoir le pied ferme et en sécurité lors de l'utilisation de votre palan manuel à levier CM Bandit.

## CHAÎNE LIBRE

Dans ce mode d'opération, la chaîne peut être tirée à la main à travers le palan dans l'une ou l'autre des directions pour une fixation rapide à la charge. Pour mettre en chaîne libre, enlever toute charge du palan et placer le levier de direction en position. Tourner la poignée de chaîne libre en sens inverse des aiguilles d'une montre pour désengager le frein et tirer sur l'une ou l'autre des chaînes jusqu'à ce que le crochet inférieur soit à la position désirée.

## OPÉRATION (SUITE)



Tirez sur le volant comme indiqué à l'illustration 3A. Le volant pivotera automatiquement dans le sens antihoraire et placera l'unité en mode chaîne libre.

Ne soulevez pas la chaîne de charge à l'endroit où celle-ci s'arrête ou le bloc de cochet inférieur coincé contre le châssis.

Figure 3A

## FIXATION DE LA CHARGE

Accrocher le crochet inférieur à la charge de façon à ce qu'elle repose dans le creux du crochet et ne pousse pas sur la pointe du crochet et que le loquet soit fermement pressé contre le crochet.

### AVERTISSEMENT

Une charge qui pousse contre le loquet et/ou la pointe du crochet peut tomber.

#### POUR PRÉVENIR LES BLESSURES:

Ne pas laisser la charge pousser contre le verrou ou la pointe du crochet. Ne soulever la charge que par le creux ou la scelle du crochet.

Ne pas enrouler la chaîne autour de la charge en l'accrochant sur elle-même en élingue étrangleur ou bien amener la charge en contact avec le palan. Cela produirait la perte de la fonction pivotante du crochet, ce qui causerait un tournoiement de la chaîne et bloquerait la roue de levage. Cette pratique peut également causer l'endommagement de la chaîne par le crochet. Assurez-vous que les crochets supérieur et inférieur sont en ligne droite et que le bâti est libre de pivoter.

## POUR TIRER OU SOULEVER LA CHARGE

Tout en tenant l'extrémité de charge de la chaîne, tournez le volant dans le sens horaire comme indiqué à l'illustration 3B. Le volant reviendra en place en réengageant l'engrenage du palan.

Placez le levier de direction sur la position de charge. Actionnez le levier de haut en bas pour lever la charge.

Lors des opérations de traction ou de soulèvement, déplacez la charge afin de légèrement charger l'unité, puis vérifiez que les fixations des crochets et de la charge sont bien placées. Ne poursuivez vos mouvements qu'après vous être assuré que la charge n'est gênée par aucun obstacle.

Ce palan a été conçu pour fonctionner uniquement à la main. N'utilisez pas d'extension avec le levier. Tout effort de traction supérieur à 67,5 po/lb pour l'unité de 0,75 tonne, 96 po/lb celle de 1,5 tonne, 103 po/lb pour celle de 3 tonnes, et 116 po/lb celle de 6 tonnes, indique soit un surcharge, soit une unité mal entretenue.

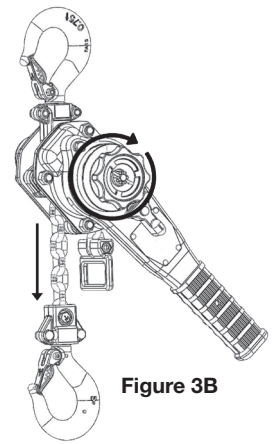


Figure 3B

## DESCENTE OU RELÂCHE

### AVERTISSEMENT

L'opération forcée peut causer des dommages aux structures ou une usure prématurée qui à son tour peut causer la brisure d'une pièce entraînant la chute de la charge.

#### POUR PRÉVENIR LES BLESSURES:

Utiliser le palan manuel à levier de série 653 seulement manuellement.

Placer le levier de direction à la position descente ou relâche. De la même façon, actionner le levier de haut en bas pour augmenter la distance entre les crochets et de ce fait relâcher ou descendre la charge.

## FREIN BLOQUANT

Si le palan est soudainement soulagé de sa charge soit en supportant la charge par un autre moyen ou en heurtant un obstacle, le frein se verrouillera.

Le frein se verrouillera également si l'ensemble du crochet inférieur est tiré jusqu'au bâti avec force.

Pour débloquer le frein, placer le levier de direction en position descente/relâche et tirer vivement sur le levier.

### AVERTISSEMENT

La rotation de la poignée de frein libre lorsque le palan est sous charge relâchera la charge et peut causer des blessures.

#### POUR PRÉVENIR LES BLESSURES:

Ne jamais tourner la poignée de chaîne libre lorsque le palan est sous charge.

### AVERTISSEMENT

Si l'unité n'a pas ses crochets en ligne droite lors d'opération, et si le bâti n'est pas libre de pivoter, une force appliquée au levier peut briser le bâti et faire tomber la charge avec danger de blessures.

#### POUR PRÉVENIR LES BLESSURES:

Utiliser l'unité avec les crochets en ligne droite et garder le bâti libre de pivoter (voir la Figure 4)

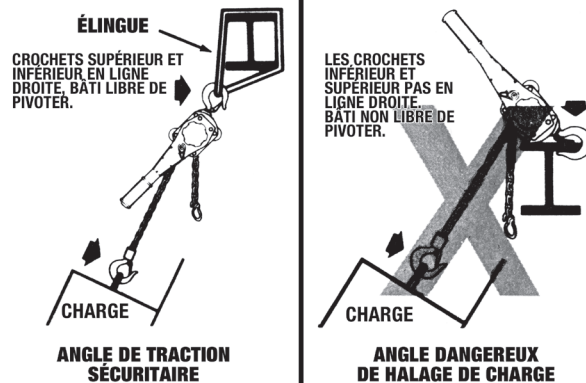


Figure 4 - Traction en angle

## INSPECTEZ LE PALAN

À intervalles réguliers et avant chaque usage, en suivant les instructions d'inspection plus bas

### **AVERTISSEMENT**

Directives de sécurité :

- NE PAS** excéder la capacité indiquée sur la plaque signalétique.
- NE PAS** utiliser pour soulever des personnes ou des charges au-dessus de personnes.
- NE PAS** utiliser si la chaîne ne forme pas une ligne droite lorsque tendue.
- NE PAS** utiliser si le bâti fait contact avec un autre objet.
- NE PAS** utiliser si l'unité ne fonctionne pas convenablement ou est endommagée.
- NE PAS** utiliser de rallonge sur le levier. N'utiliser que la force manuelle.
- NE PAS** utiliser si la chaîne est tordue, déformée ou endommagée. Utiliser selon ces instructions. Toute infraction peut vous causer des blessures ainsi qu'à d'autres.

## ENTRETIEN

### INSPECTION

Une procédure d'inspection régulière doit être mise en place de façon à ce que les pièces usées ou endommagées puissent être remplacées avant qu'elles ne deviennent dangereuses pour maintenir une utilisation satisfaisante et continue. L'intervalle de temps entre les inspections doit être déterminé selon l'application individuelle et est basé sur le type de service auquel le palan est soumis. Les intervalles indiqués plus loin sont basés sur un service normal.

Les inspections sont classifiées en deux catégories générales : "fréquentes" et "périodiques".

#### INSPECTIONS FRÉQUENTES

Ces inspections sont généralement des examens visuels de la part de l'opérateur. Les inspections fréquentes doivent être effectuées quotidiennement ou avant chaque utilisation et doivent inclure:

- Le mécanisme de freinage pour détecter toute évidence de glissement.
- L'opération du levier de direction pour s'assurer de son libre mouvement.
- La chaîne, pour vérifier sa lubrification, son usure, s'il y a des maillons endommagés, ou si elle comporte des matières étrangères.
- Les crochets, pour détecter la présence de dommage, fissure, torsion et vérifier la position et le mouvement du loquet de verrou.

### INSPECTION PÉRIODIQUE

Ce sont des inspections visuelles des conditions externes et internes par une personne désignée qui conserve un registre comme base d'évaluation continue de la condition du palan. La fréquence des inspections périodiques est basée sur l'utilisation, telle que définie dans ASME B30.21. Ils doivent être inclus dans les inspections périodiques, de même que les interventions suivantes :

- La chaîne pour détecter une élongation ou une usure excessive (Voir les Figures 6 et 7 à page 7).
- Pièces usées, fissurées ou déformées dont le bloc de crochet inférieur, le bloc de crochet supérieur, la broche du crochet supérieur, le guide-chaîne, les manchons, le levier, le couvercle du frein, la poignée de chaîne libre, le cliquet directionnel, le moyeu de friction et le cliquet du levier.
- Examiner l'usure à l'extrémité des leviers, dents du rochet et des cavités de la roue de levage.
- Voir à ce que les boulons, écrous, tiges ou rivets ne soient pas desserrés ou manquants.
- Inspectez les composants du frein pour détecter les disques de friction usés, glacés ou contaminés, puis mesurez le moyeu de friction et le cliquet. Remplacer le cliquet du frein si contaminé ou mâté, ou si l'épaisseur est de moins de 0,256 po. (6,5 mm) pour 0,75 tonne et 1,5 tonne, et de 0,307 po. (7,8 mm) pour 3 tonnes et 6 tonnes.
- S'assurer qu'il n'y a pas de corrosion, étirement ou bris aux ressorts des leviers de direction et principal, et celui du rochet
- Crochets – Inspection visuelle basée sur ASME B30.10 et ASME B30.21.
- Vérifier la facilité de lecture des insignes d'avertissement ainsi que la solidité de leur fixation.
- Vérifier que l'embout de chaîne est solidement en place.

Toute anomalie devrait être corrigée avant que le palan soit utilisé à nouveau. De plus, l'aspect externe peut démontrer le besoin d'une inspection plus détaillée nécessitant de faire des essais de type non destructifs. Toute pièce jugée irréparable, doit être remplacée avant que le palan soit utilisé à nouveau. Il est très important que les pièces non réparables soient mises au rebut ou détruites pour qu'elles ne soient pas réutilisées.

Lorsque l'unité est sujette à de sévères conditions atmosphériques poussiéreuses, humides, corrosives, ou contenant des particules, des intervalles plus courts doivent être établis. Dans ces conditions, en plus des inspections spécifiées, une attention spéciale doit être portée à la détection d'usure, de corrosion, ou de dommage inhabituels de toutes les pièces.

### INSPECTION DES CROCHETS

Les crochets endommagés par des produits chimiques, déformés, fissurés ou tordus par rapport à la surface du crochet non plié, ayant une ouverture excessive ou dont le siège est trop usé, doivent être remplacés (voir ASME B30.10). Également, les crochets qui sont ouverts au point que le verrou n'engage pas dans la pointe du crochet doivent être remplacés. Tout crochet tordu ou ayant une ouverture excessive indique de l'abus ou une surcharge du palan. Les autres pièces qui contribuent au support de la charge devraient être inspectées également.



Ouvrir le loquet pour mesurer l'ouverture de la gorge.

Figure 5 - Inspection du crochet

Capacité du palan (Tonnes)	Remplacer le crochet lorsque l'ouverture est plus grande que pouces (mm)
3/4	1,25 (19)
1-1/2	1,375 (35)
3	1,72 (44)
6	2,31 (59)

Assurez-vous que le loquet n'est pas endommagé ou plié et qu'il fonctionne bien. La tension du ressort doit être suffisante pour qu'il repousse le verrou et le maintienne fermement contre la pointe du crochet. Remplacez le loquet s'il n'opère pas bien.

Le tableau ci-dessus, doit être utilisé pour déterminer quand changer le crochet.

#### CHAÎNE DE CHARGE

La chaîne doit s'engager facilement dans le palan dans les deux directions. Si la chaîne bloque, saute ou est bruyante, vous devez en premier lieu, la lubrifier (voir page 7). Si le problème persiste, inspectez la chaîne, et vérifiez l'usure, la distorsion ou l'endommagement des pièces du mécanisme s'y rapportant.

## ENTRETIEN (SUITE)

### INSPECTION DE LA CHAÎNE

Pour débiter, nettoyez la chaîne avec un solvant non acide/non corrosif et inspectez-la, maillon par maillon, pour détecter les éraflures, marques, déformations, torsades, éclats de soudure, creux corrodés, striations (minuscules lignes parallèles), fissures dans les soudures, usure et élongation. Une chaîne ayant l'une ou l'autre de ces défauts doit être remplacée.

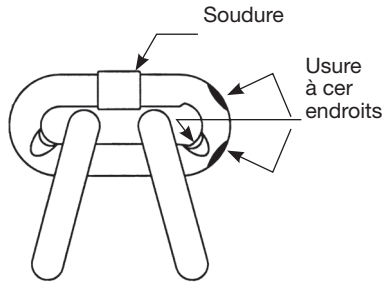


Figure 6 - Inspection de la chaîne

Dégagez la portion de la chaîne qui passe normalement sur la roue de levage. Examinez l'aire de contact pour déterminer le point d'usure maximum (poli). Mesurez et enregistrez le diamètre du matériel à ce point du maillon. Mesurez ensuite le diamètre du matériel au même endroit d'un maillon qui ne passe pas sur la roue de levage (sélectionner le maillon adjacent à l'embout de la chaîne). Et puis, comparez ces deux mesures. Si le matériel du maillon usé présente une usure plus grande que 0,254 mm comparativement à celui du maillon non usé, la chaîne doit être remplacée.

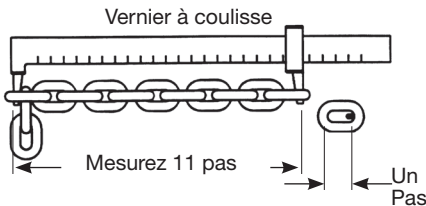


Figure 7 - Inspection de la chaîne

Vérifiez également l'élongation de la chaîne avec un vernier à coulisse comme illustré à la Figure 7. Choisir une section non usée, non étirée de la chaîne (généralement à l'extrémité libre) et mesurez et enregistrez la longueur de 11 maillons (pas) de chaîne. Prendre et enregistrer la même mesure sur une section usée. Si l'élongation est supérieure à 3,7 mm, la chaîne doit être remplacée.

Pour éliminer la possibilité d'erreur de lecture de la pleine longueur n'utilisez seulement qu'un vernier à pointe-couteau.

### ⚠ AVERTISSEMENT

L'utilisation de chaînes autres que celles fournies par CM Bandit peut résulter en un blocage de la chaîne dans le palan ou du bris de la chaîne et de la chute de la charge

#### POUR PRÉVENIR LES BLESSURES:

N'utilisez que des chaînes fournies par CM Bandit pour les palans CM Bandit, à cause des exigences dimensionnelles et des propriétés physiques.

Notez qu'une chaîne usée peut être une indication de pièces de palan usées. Pour cette raison, l'usure du bâti, du dénoueur et de la roue de levage devraient être vérifiées et, au besoin, ces pièces devraient être remplacées en même temps que la chaîne usée (voir DÉMONTAGE et ASSEMBLAGE).

De plus, la chaîne est spécialement traitée et revenue thermiquement et ne doit jamais être réparée.

**IMPORTANT:** Ne pas utiliser une chaîne qui a été remplacée à d'autres fins de levage et halage. La chaîne peut soudainement se briser même si elle n'a aucune déformation visuelle. Pour cette raison, couper la chaîne qui a été remplacée en sections courtes pour prévenir son utilisation après qu'elle aura été mise au rebut.

#### LUBRIFICATION DE LA CHAÎNE

Une faible quantité de lubrifiant prolongera grandement la vie de la chaîne de traction. Ne laissez pas la chaîne opérer à sec. Gardez-la propre et lubrifiez-la régulièrement avec le lubrifiant Lubriplate® Bar and Chain Oil 10-R (Fiske Bros. Refining Co.) ou un équivalent. Normalement, un nettoyage et une lubrification hebdomadaire sont suffisants, mais dans des environnements chauds et sales, il peut être nécessaire de nettoyer la chaîne au moins une fois par jour et de la lubrifier plusieurs fois entre les nettoyages.

Le lubrifiant doit être appliqué en quantité suffisante pour obtenir la couverture totale, spécialement dans les intersections des maillons jusqu'à ce qu'il y ait coulage naturel.

Le palan ne nécessite normalement pas de lubrification additionnelle, sauf lorsqu'il a été démonté pour nettoyage ou réparation.

### ⚠ AVERTISSEMENT

Les huiles moteur usagées contiennent des substances cancérigènes connues.

#### POUR PRÉVENIR LES BLESSURES:

Ne jamais utiliser des huiles moteur usées comme lubrifiant à chaîne. N'utiliser seulement que le lubrifiant Lubriplate® Bar and Chain Oil 10-R pour la chaîne de levage.

**IMPORTANT:** Le frein est conçu pour opérer à sec. N'utilisez aucune graisse ou lubrifiant sur les surfaces du frein.

### ⚠ AVERTISSEMENT

Toute graisse ou lubrifiant sur les surfaces du frein causera le glissement du frein et la perte de la commande de la charge qui pourrait résulter en des blessures et/ou des dégâts matériels.

#### POUR PRÉVENIR LES BLESSURES:

Ne pas mettre aucune graisse ou lubrifiant sur les surfaces du frein. Le frein est conçu pour

Lors du démontage du palan pour le nettoyer ou le réparer, les emplacements suivants devront être lubrifiés à l'aide d'environ 30 ml (1 on) liquide par palan de graisse ou de lubrifiant similaire Molykote BR-2-S (Dow Corning), Molytex #2 (Texaco) ou TopMoly (Topsall) : engrenages, bagues de la roue de levage, extérieur de l'arbre de pignon, surfaces des bagues du châssis et surface des bagues du couvercle de l'engrenage. Veillez à nettoyer soigneusement la graisse présente sur ces pièces avant de les lubrifier à nouveau.

**IMPORTANT:** Pour assurer une longue vie et une performance optimale à votre palan, assurez-vous d'en lubrifier les différentes pièces avec les lubrifiants mentionnés ci-dessus. Si désiré, ces lubrifiants peuvent être commandés chez Dayton (voir figure 13, page 10).



# ENTRETIEN (SUITE)

## DÉMONTAGE ET MONTAGE

Les fiches d'illustration et de pièces aux pages 13 et 19 montrent l'agencement général et le nom des pièces du palan à levier Dayton. Ces fiches devraient être consultées lors du démontage et de l'assemblage des unités de façon à ce que toutes les pièces soient installées correct.

### DÉMONTAGE

Pour remplacer la roue de levage ou le dénudeur, démontez complètement l'unité : retirez la chaîne (Consultez REMPLACEMENT DE LA CHAÎNE DE CHARGE, page 9) puis retirez les éléments suivants : goupille fendue (26), écrou dégagé à créneaux (36), logement du ressort de torsion (20), ressort de torsion (19), roue à main (18), ressort de torsion (17), vis à chapeau hexagonale (27), M6 (0,75 et 1,5 tonne) ou M8 (3 et 6 tonnes), ensemble de poignée du levier (15), came (16), ensemble d'engrenage de transition ou de surcharge (14 ou 14 L), écrous auto-freinés M8 (25), ensemble de couvercle du frein (13), ensemble de disque à cliquet (12), moyeu du disque (11), ensemble de panneau latéral du levier (8), guides (6), dénudeur (7). Sur le côté de l'engrenage, retirez les éléments suivants : écrou auto-freiné M8 (25), ensemble de carter d'engrenage (1), ensemble de carter de pignons (34 ou 35), arbre d'entraînement (2), rondelle de l'arbre d'entraînement (22), engrenage de charge (3 pour 0,75 et 1,5 tonne; 35 pour 3 et 6 tonnes), arbre du crochet supérieur (21), ensemble de crochet supérieur (33).

### MONTAGE

Avant de tout remettre ensemble, inspecter toutes les pièces pour voir si elles présentent de l'usure excessive, des fissures ou des distorsions. Remettre les pièces en place, puis remonter l'unité dans l'ordre inverse de celle décrite ci-haut.

### MONTAGE DE LA CHAÎNE LIBRE

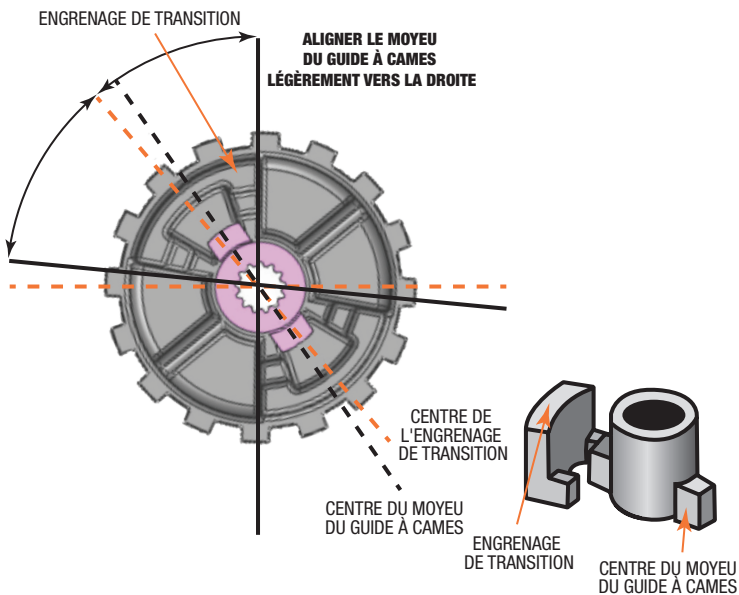
REMARQUE :

Afin d'assurer le fonctionnement adéquat du frein du crochet et de la chaîne libre, effectuer les étapes suivantes avant d'entamer l'ÉTAPE 1.

- Mettre le levier d'inversion à la position « N ».
- Tourner l'engrenage de transition (14/14L) dans le sens horaire afin d'assurer qu'il s'est engagé dans le disque de frein. Terminer cette étape tout en tenant le brin de chaîne avec le crochet inférieur.
- Vous entendrez un bruit de « clics » si le côté chargé de la chaîne n'est pas tenu avec suffisamment de force.
- Après avoir resserré l'engrenage de transition (14/14L), s'assurer qu'il ne tourne pas dans le sens inverse des aiguilles d'une montre.

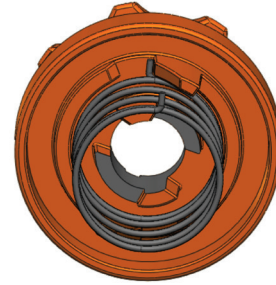
#### ÉTAPE 1 : INSTALLATION DE LA CAME

- Attacher la came (16) à l'arbre d'entraînement (2) en alignant l'engrenage d'entraînement (14/14L) tel qu'illustré dans la figure ci-dessous.

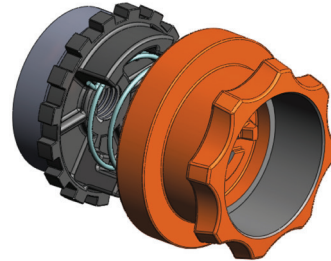


#### ÉTAPE 2 : INSTALLATION DE LA POIGNÉE DE CHAÎNE LIBRE

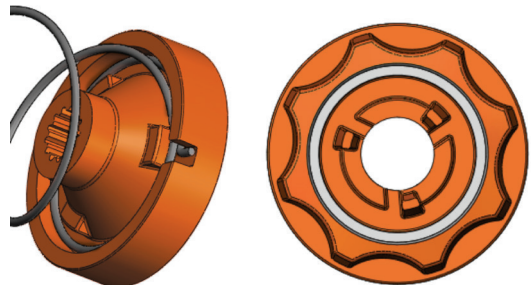
- Installer le ressort de torsion (17) dans la fente à l'arrière de la roue à main (18). Tourner le ressort de torsion (17) jusqu'à ce que la languette



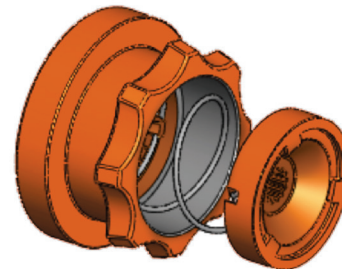
- Ajuster l'extrémité opposée du ressort de torsion (17) à côté du moyeu sur l'engrenage de transition (14/14L) tel qu'illustré ci-dessous.



- Tout en tenant la chaîne de charge, tourner la roue à main (18) 120° dans le sens horaire en poussant en même temps la roue à main (18) vers le corps du palan. Pendant la rotation de la roue à main (18), la (16) came (16) s'enclenche dans les fentes de la roue à main (18).
- Mettre le levier d'inversion à la position « HAUT » ou « BAS » afin de fixer la roue à main (18) temporairement.
- Mettre l'extrémité dépassant vers l'extérieur du ressort de torsion (19) dans la fente à l'arrière du boîtier de la roue à main (20). Accrocher l'autre extrémité (la languette dépassant vers l'intérieur) du ressort de torsion (19) dans l'une des trois fentes situées à l'intérieur de la roue à main (18) tel qu'illustré ci-dessous.



- Tourner le boîtier du ressort de torsion (20) dans le sens inverse des aiguilles d'une montre tout en poussant le corps du palan vers l'intérieur. Aligner les cannelures du boîtier du ressort de torsion (20) vis-à-vis les cannelures correspondantes sur l'arbre d'entraînement (2).

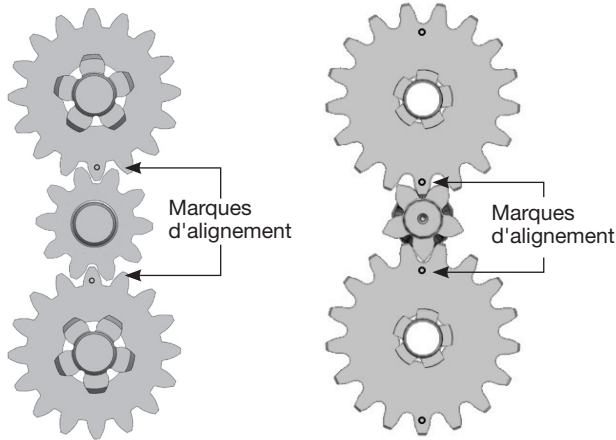


- Installer l'écrou dégagé à créneaux (36) et la goupille fendue (26)
- Mettre le levier d'inversion à la position « N » et tirer la roue à main (18) vers l'extérieur afin de dégager le mécanisme de la chaîne. Tirer la chaîne de charge à travers le palan afin d'assurer une performance adéquate.

## ENTRETIEN (SUITE)

### DISTRIBUTION PAR PIGNONS

Lors de l'assemblage des pignons, ils devront être orientés de manière à ce que les marques de distribution soient orientées comme indiqué. (Consultez l'illustration figure « Distribution par pignons ».) Remarque : dans le cas des unités de 1.5 tonnes, l'orientation des ensembles de pignons/engrenages A et B n'a pas d'importance, car les marques de distribution sont orientées comme indiqué et les deux ensembles (A et B) sont présents.

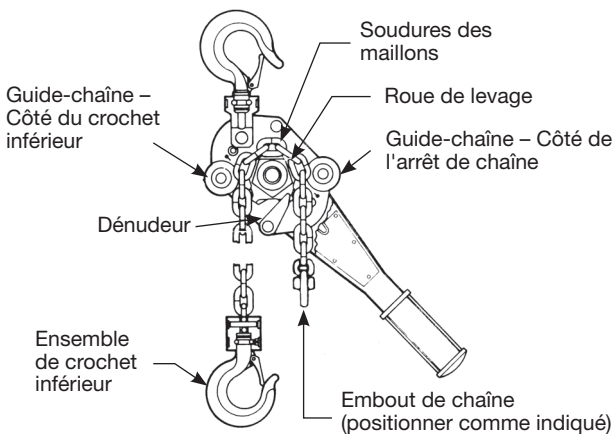


**Figure 10 - Alignement d'engrenages (0.75 et 1.5 tonnes)**

**Figure 11 - Alignement d'engrenages (3 et 6 tonnes)**

### REMPACEMENT DE LA CHAÎNE DE CHARGE

Pour remplacer la chaîne de charge, enlevez le bloc de crochet inférieur et l'arrêt de chaîne de la chaîne. Déplacez le levier de direction en position neutre « N » puis sortez la chaîne existante du palan. Faites passer un fil de fer recuit par un des côtés du guide-chaîne puis au-dessus de la roue de levage jusqu'à ce qu'il ressorte de l'autre côté du guide-chaîne. Fixez ce fil à l'extrémité de la nouvelle chaîne. Positionnez la chaîne de manière à ce que le premier maillon rentrant dans le guide-chaîne soit vertical et que les soudures de tous les maillons verticaux soient éloignées de la roue de levage. Tirez sur le fil jusqu'à ce que la chaîne s'engrène sur la roue de levage. Tournez la poignée de chaîne libre en tirant sur le fil jusqu'à ce que la chaîne ressorte du guide-chaîne. Tirez sur la chaîne puis retirez le fil. Fixez le bloc de crochet inférieur à la chaîne située juste sous le crochet supérieur.



**Installation de la Chaîne**

### LIMITEUR DE CHARGE OPTIONNEL

The Bandit lever hoist has an optional load limiter. The load limiter on the lever hoist is a device designed and calibrated to prevent excessive overloads. It is a question of excessive overload when the lever moves without any displacement corresponding to the hook or the load when the unit is manoeuvred in the direction « haut ». S'il y a surcharge, il faut immédiatement mettre le levier à la position « bas » et manoeuvrer le levier de telle sorte que la charge excessive soit enlevée des unités. En réduisant la charge à la capacité nominale ou moins, le fonctionnement normal de l'unité sera rétabli automatiquement.

### MISE EN GARDE

The load limiter can overheat and wear if it is activated excessively. For this reason, once an overload is detected, the excessive load must be removed and normal operation re-established without the excessive operation continuing.

The conception of the load limiter allows it to function dry, without lubrication. In order to guarantee the appropriate operation, NE PAS appliquer de lubrifiant aux surfaces de friction ni aux pièces adjacentes du limiteur de charge.

### TEST

We recommend testing the load limiter during the periodic inspection. To do this test, attach the bottom hook to a load of up to 200% of the nominal capacity and make the unit operate in the direction « haut ». The lever should slip when the attempt is made to lift the load. After this test, move the trigger to the bottom position and make the unit operate to remove the tension of the units. As soon as the tension is removed, the unit should return to normal operation. If the load does not slip to 200% of the capacity, the load limiter must be replaced.

### PIÈCES DE RECHANGE RECOMMANDÉES

- Ensemble de disque à cliquet
- Ensemble de loquet
- Ensemble de crochets supérieur et inférieur

## AVERTISSEMENT

L'altération ou la modification de l'équipement ainsi que l'utilisation de pièces autres que les pièces détachées fournies par CM Bandit pour réparer ce palan à levier peuvent provoquer un fonctionnement dangereux et des blessures.

### POUR ÉVITER LES BLESSURES :

Ne pas modifier ni altérer l'équipement. Utiliser uniquement des pièces détachées fournies par CM Bandit.

## ENTRETIEN (SUITE)

### ENTRETIEN PRÉVENTIF

En plus des procédures d'inspection, un programme d'entretien préventif devrait être établi pour prolonger la vie du palan et maintenir sa fiabilité et son service sécuritaire continu. Le programme devrait inclure les inspections périodiques en portant une attention particulière à la lubrification des divers composants en utilisant les lubrifiants recommandés (voir la Figure 13).

### ESSAIS

Tout palan qui a été réparé ou qui n'a pas été utilisé pendant 12 mois doit être éprouvé avant son utilisation régulière.

Essayez d'abord l'unité en l'absence de charge puis avec une charge légère de 45 kg (100 lb) distribuée sur le nombre de pièces de la chaîne de charge supportant la charge afin de s'assurer qu'elle fonctionne correctement et que le frein supporte la charge lorsque le levier est libéré; ensuite, essayez-la en la chargeant à 125 % de sa capacité nominale.

Également, les palans dont les pièces supportant la charge ont été remplacées doivent être éprouvés à 125 % de leur capacité sous la supervision d'une personne désignée et un rapport d'essai rédigé pour référence.

**NOTE:** Pour de plus amples informations concernant les inspections et essais, consultez la norme B30.21 de l'ASME intitulée "Manually Operated Lever Hoists" disponible du Département de commandes de l'ASME, 22 Law Drive, Box 2300, Fairfield, New Jersey 07007-2300, U.S.A.

RAPPORT D'INSPECTION			
ARTICLE	REMARQUES (DÉCRIRE LES DÉFAUTS ET LES ACTIONS RECOMMANDÉES)		
Signature	Date	Approuvé	Date

Figure 12 - Rapport d'inspection recommandé

CÉDULE RECOMMANDÉE DE LUBRIFICATION* PALANS MANUELS À LEVIER CM BANDIT						
NO. DE RÉFÉRENCE VOIR PAGES 11 ET 12	COMPOSANTS	TYPE DE LUBRIFIANT	NO DE COMMANDE	TYPE DE SERVICE ET FRÉQUENCE DE LUBRIFICATION		
32	Chaîne	Huile (Voir p. 7)	28619 (3,8 L Boîte)	DUR	RÉGULIER	LÉGER
				Journalier	Hebdomadaire	Mensuel
5, 1, 8, 24 et 7	Engrenages, manchons, rouleaux de roue de levage et pignon	Graisse (Voir p. 7)	28618 (0,45 Kg Boîte)	Lorsque le palan est démonté pour nettoyage ou réparation		

(\*) Cette cédule de lubrification est basée sur une opération dans un environnement normal. Les palans opérant dans des conditions atmosphériques adverses, de chaleur excessive, de vapeurs corrosives, de poussière abrasive etc., devraient être lubrifiés plus fréquemment.

Figure 13 - Cédule de lubrification recommandée

# ENTRETIEN (SUITE)

## LISTE D'INSPECTION ET D'ENTRETIEN PALAN MANUEL À LEVIER

Type de palan \_\_\_\_\_ Capacité (tonnes) \_\_\_\_\_  
 Localisation \_\_\_\_\_ Date d'installation initiale \_\_\_\_\_  
 Manufacturier \_\_\_\_\_ No. de série \_\_\_\_\_

Article	Intervalle d'inspection		Défauts possibles	OK	Action requise
	Fréquente	Périodique			
	Journalière	Tous les 3 mois jusqu'à annuellement, conformément à ASME B30.21			
Mécanisme de frein	*	*	Glissement ou dérive excessive. Disques de friction usés, glacés ou contaminés. Épaisseur de l'ensemble du cliquet de frein inférieure à 7 mm.		
Levier directionnel	*	*	Tendu et ne bouge pas librement.		
Milieu chaîne de levage	*	*	Lubrification inadéquate, usure ou étirement excessif, mailons fissurés, endommagés ou tordus, matériel ou corrodé ou congestionné.		
Crochets	*	*	Ouverture excessive de la gorge, un loquet de crochet tordu, endommagé ou non fonctionnant, dommages chimiques. Fissures (utiliser au moins une fois par année une méthode appropriée de détection par ressuage, magnétique ou autre).		
Bloc de crochet supérieur, bloc de crochet inférieur, tige du crochet supérieur, guide-chaîne, manchons, engrenages, pignon et moyeu de friction		*	Fissures, distorsion, usure excessive, corrosion ou accumulation de matières étrangères.		
Pointes des crans d'arrêt et dents des rochets		*	Fissures, distorsion, usure excessive, corrosion ou accumulation de matières étrangères.		
Boulons, écrous, tiges et rivets		*	Fissures, déviation, desserrage, têtes rongées.		
Ressorts de leviers crans d'arrêt directionnel et principal		*	Corrosion, étirement ou bris.		
Embout de chaîne		*	Absent, fissuré, non retenu fermement à la chaîne, non bien localisé.		
Plaque signalétique, étiquettes d'avertissement et attaches d'indication de chaîne libre		*	Absent, endommagé ou non lisible.		

**NOTE:** Pour plus d'information consultez les sections Inspection et entretien de ce manuel

### INTERVALLE D'INSPECTION

Fréquente - indique les items nécessitant une inspection journalière ou bien avant chaque utilisation. Ces inspections peuvent être effectuées par l'opérateur s'il a reçu les instructions appropriées.

Périodique - indique les pièces nécessitant une inspection tous les trois mois. Inspections à être effectuées par ou sous la supervision de personnes proprement entraînées. L'intervalle d'inspection dépendra de la fréquence et du type d'usage. La détermination de cet intervalle sera basée sur l'expérience de l'utilisateur. Il est recommandé de débuter par une inspection trimestrielle et l'étendre selon l'expérience à un intervalle semestrielle ou annuelle.

**NOTE :** La liste de vérification des inspections et de l'entretien est conforme à notre interprétation des exigences de la Norme de sécurité pour palans à levier ASME B30.21. Cependant, il revient à l'employeur/l'utilisateur d'interpréter et de respecter les exigences applicables de cette norme de sécurité.

Figure 14 - Liste d'inspection et d'entretien recommandés

## TABLEAU DE DÉPISTAGE DES DÉFAUTS

Symptôme	Cause(s) possibles	Action corrective
Palan difficile à opérer dans les deux directions.	<ol style="list-style-type: none"> <li>1. Chaîne de levage usée tardant à se tendre et se bloquant ainsi entre la roue de levage et le guide-chaîne.</li> <li>2. Chaîne de levage rouillée, corrodée ou bloquée avec matière étrangère comme le ciment ou la boue.</li> <li>3. Manchons obstrués par des matières comme du ciment ou de la poussière.</li> <li>4. Levier coincé.</li> <li>5. Pièces de frein corrodées ou obstruées avec matière étrangère.</li> <li>6. Cavités de la roue de levage obstruées par de la matière étrangère ou trop usées, entraînant un blocage de la chaîne entre la roue de levage et le guide-chaîne.</li> <li>7. Roue de levage tordue ou pliée, dents de roue pliées.</li> </ol>	<ol style="list-style-type: none"> <li>1. Vérifier la chaîne (voir p.7) et remplacer si usée excessivement.</li> <li>2. Nettoyer la chaîne par polissage à friction ou en utilisant un solvant non acide/non corrosif. Vérifiez si la chaîne comporte des éraflures, des maillons endommagés ou pliés. Lubrifiez avec huile Lubriplate® Bar and Chain Oil 10-R (Fiske Bros. Refining Co.) ou un équivalent.</li> <li>3. Démontez et nettoyez les manchons de la roue de levage et les manchons situés dans le couvercle de l'engrenage et le panneau latéral (du côté de l'engrenage). Toutes les pièces excessivement usées devront être remplacées.</li> <li>4. Nettoyer en enlevant toute matière étrangère pouvant se trouver entre le levier et le couvercle de frein.</li> <li>5. Démontez le frein et nettoyez à fond (avec un chiffon, non par lavage dans solvant). Remplacer les disques s'ils sont trop collants, usés, ou égratignés. Garder la surface des disques en condition propre et sèche.</li> <li>6. Si l'usure n'est pas excessive, nettoyer les cavités et réutiliser. Si les cavités sont usées, remplacer la roue de levage.</li> <li>7. Une surcharge excessive a été appliquée. Remplacer les pièces endommagées.</li> </ol>
Palan difficile à opérer en direction vers le bas.	<ol style="list-style-type: none"> <li>1. Composantes du frein corrodées ou bloquées par matière étrangère.</li> <li>2. Chaîne bloquée.</li> </ol>	<ol style="list-style-type: none"> <li>1. Démontez le frein et nettoyez à fond (avec un chiffon, non par lavage dans un solvant). Remplacez les disques s'ils sont trop collants, usés, ou égratignés. Gardez la surface des disques en condition propre et sèche.</li> <li>2. Vérifiez la chaîne (voir p.7) et remplacer si excessivement usée. Nettoyer la chaîne par polissage à friction ou en utilisant un solvant non acide/non corrosif. Vérifiez si la chaîne comporte des éraflures, des maillons endommagés ou pliés. Lubrifiez avec huile Lubriplate® Bar and Chain Oil 10-R (Fiske Bros. Refining Co.) ou un équivalent.</li> </ol>
Palan difficile à opérer en direction vers le haut.	<ol style="list-style-type: none"> <li>1. Chaîne bloquée.</li> <li>2. Surcharge.</li> </ol>	<ol style="list-style-type: none"> <li>1. Vérifiez la chaîne (voir p.7) et remplacer si excessivement usée. Nettoyer la chaîne par polissage à friction ou en utilisant un solvant non acide/non corrosif. Vérifiez si la chaîne comporte des éraflures, des maillons endommagés ou pliés. Lubrifiez avec huile Lubriplate® Bar and Chain Oil 10-R (Fiske Bros. Refining Co.) ou un équivalent.</li> <li>2. Réduire la charge ou utiliser une unité de capacité adéquate.</li> </ol>

# PALAN MANUEL À LEVIER CM BANDIT 0,75 ET 1,5 TONNE

## LISTE DES PIÈCES DE RECHANGE

Veillez fournir les informations suivantes:

- Numéro de modèle
- Numéro de série
- Description et numéro de la pièce figurant dans la liste des pièces

Numéro de pièce	Numéro d'article	Description	Quantité
<b>BAN-0001</b>		<b>ENSEMBLE D'ENGRENAGE 0,75 TONNE</b>	
-	34	Ensemble de carter de pignons	2
-	2	Arbre d'entraînement	1
-	22	Rondelle de l'arbre d'entraînement	1
-	26	Goupille fendue	1
<b>BAN-0002</b>		<b>ENSEMBLE D'ENGRENAGE 1,5 TONNE</b>	
-	35	Ensemble de carter de pignons	1
-	34	Ensemble de carter de pignons	1
-	2	Arbre d'entraînement	1
-	22	Rondelle de l'arbre d'entraînement	1
-	26	Goupille fendue	1
<b>BAN-0010</b>		<b>POULIE DE CHARGE ET ENSEMBLE D'ENGRENAGE 0,75 TONNE</b>	
-	5	Poulie de charge	1
-	22	Rondelle de l'arbre d'entraînement	1
-	26	Goupille fendue	1
<b>BAN-0011</b>		<b>POULIE DE CHARGE ET ENSEMBLE D'ENGRENAGE 1,5 TONNE</b>	
-	5	Poulie de charge	1
-	22	Rondelle de l'arbre d'entraînement	1
-	26	Goupille fendue	1
<b>BAN-0020</b>		<b>ENSEMBLE DE PANNEAUX LATÉRAUX 0,75 TONNE</b>	
-	4	Ensemble de panneaux latéraux pour engrenage	1
-	25	Écrou auto-freiné M8	8
-	8	Ensemble de panneaux latéraux pour levier	1
-	26	Goupille fendue	1
<b>BAN-0021</b>		<b>ENSEMBLE DE PANNEAUX LATÉRAUX 1,5 TONNE</b>	
-	4	Ensemble de panneaux latéraux pour engrenage	1
-	25	Écrou auto-freiné M8	8
-	8	Ensemble de panneaux latéraux pour levier	1
-	26	Goupille fendue	1
<b>BAN-0030</b>		<b>ENSEMBLE DE DÉNUDEUR 0,75 TONNE</b>	
-	6	Guide	2
-	7	Dénudeur	1
-	26	Goupille fendue	1
<b>BAN-0031</b>		<b>ENSEMBLE DE DÉNUDEUR 1,5 TONNE</b>	
-	6	Guide	2
-	7	Dénudeur	1
-	26	Goupille fendue	1
<b>BAN-0040</b>		<b>ENSEMBLE D'ENGRENAGE 0,75 ET 1,5 TONNE</b>	
-	16	Came	1
-	14	Engrenage de transition	1
-	26	Goupille fendue	1
<b>BAN-0041</b>		<b>ENSEMBLE DE LIMITEUR DE SURCHARGE 0,75 TONNE</b>	
-	16	Came	1
-	14L	Limiteur de surcharge	1
-	26	Goupille fendue	1
<b>BAN-0042</b>		<b>ENSEMBLE DE LIMITEUR DE SURCHARGE 1,5 TONNE</b>	
-	16	Came	1
-	14L	Limiteur de surcharge	1
-	26	Goupille fendue	1
<b>BAN-0050</b>		<b>ENSEMBLE DE POIGNÉE 0,75 TONNE</b>	
-	15	Ensemble de poignée de levier	1
-	24	Écrou auto-freiné M6	1
-	23	Écrou hexagonale M6	2
-	27	Vis à chapeau hexagonale	1
-	26	Goupille fendue	1
<b>BAN-0051</b>		<b>ENSEMBLE DE POIGNÉE 1,5 TONNE</b>	
-	15	Ensemble de poignée de levier	1

# PALAN MANUEL À LEVIER CM BANDIT 0,75 ET 1,5 TONNE

## LISTE DES PIÈCES DE RECHANGE (Continued)

Numéro de pièce	Numéro d'article	Description	Quantité
-	24	Écrou auto-freiné M6	1
-	23	Écrou hexagonale M6	2
-	27	Vis à chapeau hexagonale	1
-	26	Goupille fendue	1
<b>BAN-0060</b>		<b>ENSEMBLE DE RESSORT 0,75 ET 1,5 TONNE</b>	
-	17	Ressort de torsion	1
-	19	Ressort de torsion	1
-	26	Goupille fendue	1
<b>BAN-0070</b>		<b>ENSEMBLE DE CLIQUET 0,75 ET 1,5 TONNE</b>	
-	11	Moyeu de disque	1
-	12	Ensemble de disque à cliquet	1
-	26	Goupille fendue	1
<b>BAN-0080</b>		<b>ENSEMBLE DE COUVERCLE DE FREIN 0,75 TONNE</b>	
-	25	Écrou auto-freiné M8	4
-	13	Ensemble de couvercle de frein	1
-	23	Écrou hexagonale M6	2
-	24	Rondelle auto-freiné M6	1
-	27	Vis à chapeau hexagonale	1
-	26	Goupille fendue	1
<b>BAN-0081</b>		<b>ENSEMBLE DE COUVERCLE DE FREIN 1,5 TONNE</b>	
-	25	Écrou auto-freiné M8	4
-	13	Ensemble de couvercle de frein	1
-	23	Écrou hexagonale M6	2
-	24	Rondelle auto-freiné M6	1
-	27	Vis à chapeau hexagonale	1
-	26	Goupille fendue	1
<b>BAN-0082</b>		<b>ENSEMBLE DE COUVERCLE D'ENGRENAGE 0,75 TONNE</b>	
-	25	Écrou auto-freiné M8	4
-	1	Ensemble de carter d'engrenage	1
-	26	Goupille fendue	1
<b>BAN-0083</b>		<b>ENSEMBLE DE COUVERCLE D'ENGRENAGE 1,5 TONNE</b>	
-	25	Écrou auto-freiné M8	4
-	1	Ensemble de carter d'engrenage	1
-	26	Goupille fendue	1
<b>BAN-0090</b>		<b>ENSEMBLE DE MATÉRIEL 0,75 TONNE</b>	
-	31	Anneau de blocage	1
-	32	Vis d'anneau de blocage	1
-	23	Écrou hexagonale M6	1
-	26	Goupille fendue	1
<b>BAN-0091</b>		<b>ENSEMBLE DE MATÉRIEL 1,5 TONNE</b>	
-	31	Anneau de blocage	1
-	32	Vis d'anneau de blocage	1
-	25	Écrou hexagonale M8	1
-	26	Goupille fendue	1
<b>BAN-0100</b>		<b>ENSEMBLE DE RESSORTS DES LEVIERS DE DIRECTION 0,75 ET 1,5 TONNE</b>	
-	9	Ressort de levier de direction	2
-	10	Levier de direction	2
-	30	Jonc 9 mm	2
-	26	Goupille fendue	1
<b>BAN-0110</b>		<b>ENSEMBLE DE BOÎTIER DE RESSORT 0,75 ET 1,5 TONNE</b>	
-	17	Ressort de torsion	1
-	18	Roue à main	1
-	19	Ressort de torsion	1
-	20	Boîtier du ressort de torsion	1
-	36	Écrou dégagé à créneaux	1
-	26	Goupille fendue	1
<b>BAN-0120</b>		<b>ENSEMBLE DE MONTAGE DE CROCHET SUPÉRIEUR 0,75 TONNE - FABRIQUÉ AUX ÉTATS-UNIS</b>	
-	33	Crochet 0,75	1
-	-	Suspension supérieure 0,75	2
-	-	Ensemble de loquet	1
-	-	Boulon de moufle à crochet	2

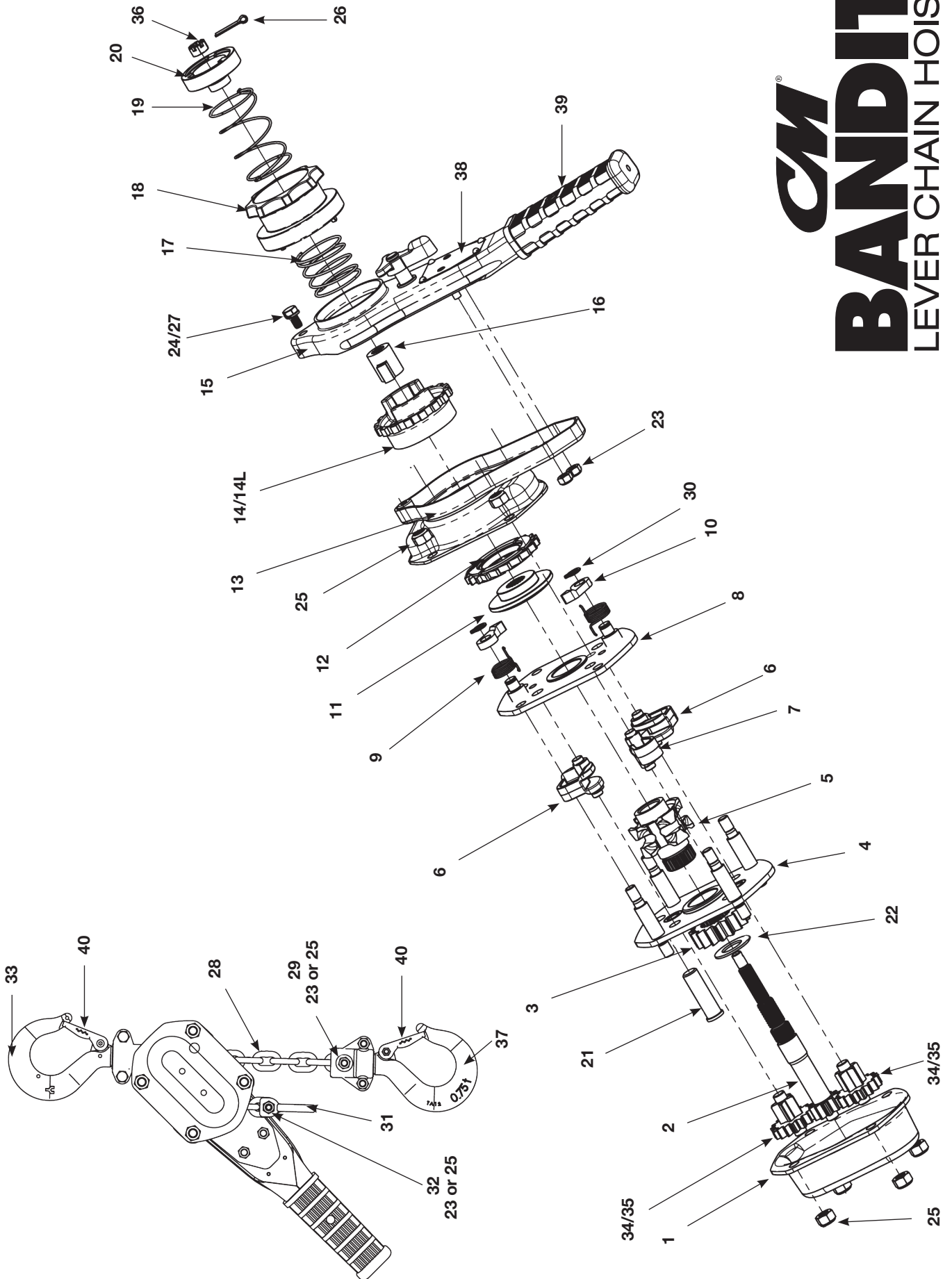
# PALAN MANUEL À LEVIER CM BANDIT 0,75 ET 1,5 TONNE

## LISTE DES PIÈCES DE RECHANGE (Continued)

Numéro de pièce	Numéro d'article	Description	Quantité
-	-	Écrou hexagonale M6	2
<b>BAN-0120C</b>		<b>ENSEMBLE DE MONTAGE DE CROCHET SUPÉRIEUR 0,75 TONNE</b>	
-	33	Crochet 0,75	1
-	-	Suspension supérieure 0,75	2
-	-	Ensemble de loquet	1
-	-	Boulon de moufle à crochet	2
-	-	Écrou hexagonale M6	2
<b>BAN-0121</b>		<b>ENSEMBLE DE MONTAGE DE CROCHET SUPÉRIEUR 1,5 TONNE - FABRIQUÉ AUX ÉTATS-UNIS</b>	
-	33	Crochet 1,5	1
-	-	Suspension supérieure 1,5	2
-	-	Ensemble de loquet	1
-	-	Boulon de moufle à crochet	2
-	-	Écrou hexagonale M6	2
<b>BAN-0121C</b>		<b>ENSEMBLE DE MONTAGE DE CROCHET SUPÉRIEUR 1,5 TONNE</b>	
-	33	Crochet 1,5	1
-	-	Suspension supérieure 1,5	2
-	-	Ensemble de loquet	1
-	-	Boulon de moufle à crochet	2
-	-	Écrou hexagonale M6	2
<b>BAN-0130</b>		<b>ENSEMBLE DE MONTAGE DE CROCHET INFÉRIEUR 0,75 TONNE - FABRIQUÉ AUX ÉTATS-UNIS</b>	
-	37	Crochet 0,75	1
-	-	Moufle à crochet inférieur 0,75	2
-	-	Ensemble de loquet	1
-	-	Boulon de moufle à crochet	2
-	29	Boulon de chaîne à crochet inférieur	1
-	-	Écrou hexagonale M6	2
<b>BAN-0130C</b>		<b>ENSEMBLE DE MONTAGE DE CROCHET INFÉRIEUR 0,75 TONNE</b>	
-	37	Crochet 0,75	1
-	-	Moufle à crochet inférieur 0,75	2
-	-	Ensemble de loquet	1
-	-	Boulon de moufle à crochet	2
-	29	Boulon de chaîne à crochet inférieur	1
-	-	Écrou hexagonale M6	2
<b>BAN-0131</b>		<b>ENSEMBLE DE MONTAGE DE CROCHET INFÉRIEUR 1,5 TONNE - FABRIQUÉ AUX ÉTATS-UNIS</b>	
-	37	Moufle à crochet inférieur 1,5 T	2
-	-	Crochet 1,5 T	1
-	-	Ensemble de loquet	1
-	-	Boulon de moufle à crochet	2
-	29	Boulon de chaîne à crochet inférieur	1
-	-	Écrou hexagonale M6	2
<b>BAN-0131C</b>		<b>ENSEMBLE DE MONTAGE DE CROCHET INFÉRIEUR 1,5 TONNE</b>	
-	37	Moufle à crochet inférieur 1,5 T	2
-	-	Crochet 1,5 T	1
-	-	Ensemble de loquet	1
-	-	Boulon de moufle à crochet	2
-	29	Boulon de chaîne à crochet inférieur	1
-	-	Écrou hexagonale M6	2
<b>BAN-0140</b>		<b>ENSEMBLE DE REMPLACEMENT DE POIGNÉE 0,75 TONNE</b>	
-	39	Poignée 0,75 T (vis et écrou compris)	1
-	-	Colle	1
<b>BAN-0141</b>		<b>ENSEMBLE DE REMPLACEMENT DE POIGNÉE 1,5 TONNE</b>	
-	39	Poignée 1,5 T (vis et écrou compris)	1
-	-	Colle	1
<b>T56Z</b>	<b>28</b>	<b>CHAÎNE DE CHARGE 0,75 TONNE</b>	-
<b>85961Z</b>	<b>28</b>	<b>CHAÎNE DE CHARGE 1,5 TONNE</b>	-
<b>00002034</b>	<b>21</b>	<b>ARBRE DU CROCHET SUPÉRIEUR 0,75 TONNE</b>	<b>1</b>
<b>00002137</b>	<b>21</b>	<b>ARBRE DU CROCHET SUPÉRIEUR 1,5 TONNE</b>	<b>1</b>
<b>53850</b>	<b>40</b>	<b>ENSEMBLE DE LOQUET 0,75 TONNE</b>	<b>1</b>
<b>53821</b>	<b>40</b>	<b>ENSEMBLE DE LOQUET 1,5 TONNE</b>	<b>1</b>
<b>00002027</b>	<b>15</b>	<b>ENSEMBLE DE POIGNÉE DE LEVIER 0,75 TONNE</b>	<b>1</b>
<b>00002130</b>	<b>15</b>	<b>ENSEMBLE DE POIGNÉE DE LEVIER 1,5 TONNE</b>	<b>1</b>



**SCHÉMA DES PIÈCES 0,75 ET 1,5 TONNE**



**CM**  
**BANDIT**<sup>TM</sup>  
 LEVER CHAIN HOIST

**FRANÇAIS**

# PALAN MANUEL À LEVIER CM BANDIT 3 ET 6 TONNES

## LISTE DES PIÈCES DE RECHANGE

Veillez fournir les informations suivantes:

- Numéro de modèle
- Numéro de série
- Description et numéro de la pièce figurant dans la liste des pièces

Numéro de pièce	Numéro d'article	Description	Quantité
<b>BAN-0003</b>		<b>ENSEMBLE D'ENGRENAGE 3 ET 6 TONNES</b>	
-	35	Engrenage de charge	1
-	34	Ensemble de carter de pignons	2
-	2	Arbre d'entraînement	1
-	22	Rondelle de l'arbre d'entraînement	1
-	26	Goupille fendue	1
<b>BAN-0012</b>		<b>ENSEMBLE DE POULIE DE CHARGE 3 ET 6 TONNES</b>	
-	5	Poulie de charge	1
-	3A	Roulement de l'engrenage de charge	2
-	26	Goupille fendue	1
<b>BAN-0022</b>		<b>ENSEMBLE DE PANNEAU LATÉRAL 3 ET 6 TONNES</b>	
-	4	Ensemble de panneau latéral pour engrenage	1
-	25	Écrou auto-freiné M8	8
-	8	Ensemble de panneau latéral pour levier	1
-	26	Goupille fendue	1
<b>BAN-0032</b>		<b>ENSEMBLE DE DÉNUDEUR 3 ET 6 TONNES</b>	
-	6	Guide	2
-	7	Dénudeur	1
-	26	Goupille fendue	1
<b>BAN-0043</b>		<b>ENSEMBLE D'ENGRENAGE DE CAME 3 ET 6 TONNES</b>	
-	16	Came	1
-	14	Engrenage de transition	1
-	26	Goupille fendue	1
<b>BAN-0044</b>		<b>ENSEMBLE DE LIMITEUR DE CHARGE 3 ET 6 TONNES</b>	
-	16	Came	1
-	14L	Limiteur de surcharge	1
-	26	Goupille fendue	1
<b>BAN-0052</b>		<b>ENSEMBLE DE POIGNÉE 3 ET 6 TONNES</b>	
-	15	Ensemble de poignée de levier	1
-	24	Rondelle auto-freiné M6	1
-	23	Écrou hexagonale M8	2
-	27	Vis à chapeau hexagonale	1
-	26	Goupille fendue	1
<b>BAN-0061</b>		<b>ENSEMBLE DE RESSORT 3 ET 6 TONNES</b>	
-	17	Ressort de torsion	1
-	19	Ressort de torsion	1
-	26	Goupille fendue	1
<b>BAN-0071</b>		<b>ENSEMBLE DE CLIQUET 3 ET 6 TONNES</b>	
-	11	Moyeu de disque	1
-	12	Ensemble de disque à cliquet	1
-	26	Goupille fendue	1
<b>BAN-0084</b>		<b>ENSEMBLE DE COUVERCLE DE FREIN 3 ET 6 TONNES</b>	
-	25	Écrou auto-freiné M8	4
-	13	Ensemble de couvercle de frein	1
-	24	Rondelle auto-freiné M6	1
-	23	Écrou hexagonale M8	2
-	27	Vis à chapeau hexagonale	1
-	26	Goupille fendue	1
<b>BAN-0085</b>		<b>ENSEMBLE DE COUVERCLE D'ENGRENAGE 3 ET 6 TONNES</b>	
-	25	Écrou auto-freiné M8	10
-	1	Ensemble de boîtier d'engrenage	1
-	26	Goupille fendue	1

# PALAN MANUEL À LEVIER CM BANDIT 3 ET 6 TONNES

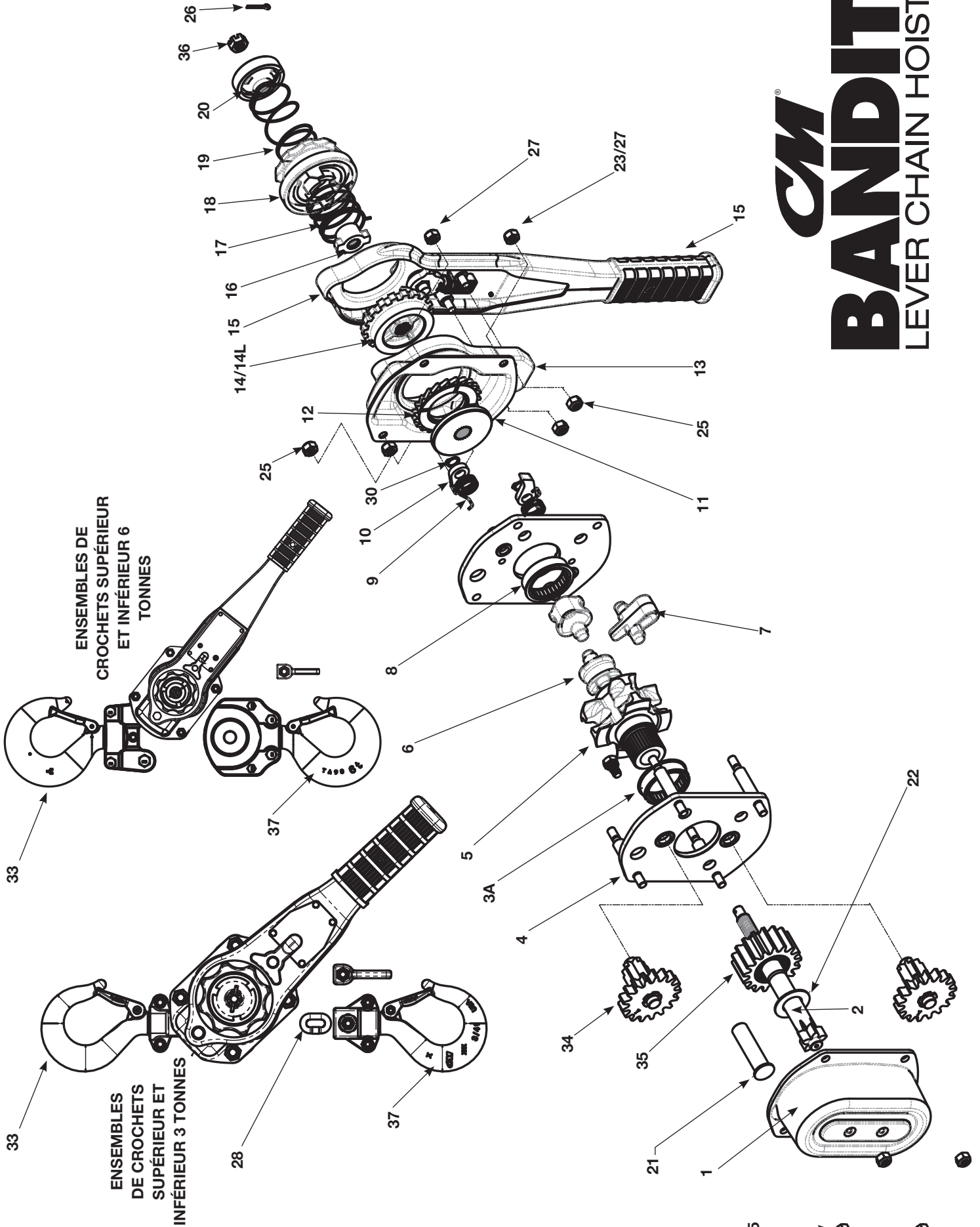
## LISTE DES PIÈCES DE RECHANGE (Continued)

Numéro de pièce	Numéro d'article	Description	Quantité
<b>BAN-0092</b>		<b>ENSEMBLE DE MATÉRIEL 3 ET 6 TONNES</b>	
–	31	Anneau de blocage	1
–	32	Vis d'anneau de blocage	1
–	–	Écrou auto-freiné M10	1
–	26	Goupille fendue	1
<b>BAN-0101</b>		<b>ENSEMBLE DE LEVIER DE DIRECTION 3 ET 6 TONNES</b>	
–	9	Ressort de levier de direction	2
–	10	Levier de direction	2
–	30	Jonc 9 mm	2
–	26	Goupille fendue	1
<b>BAN-0111</b>		<b>ENSEMBLE DE CROCHET À RESSORT 3 ET 6 TONNES</b>	
–	17	Ressort de torsion	1
–	18	Roue à main	1
–	19	Ressort de torsion	1
–	20	Boîtier du ressort de torsion	1
–	36	Écrou dégagé à créneaux	1
–	26	Goupille fendue	1
<b>BAN-0122</b>		<b>ENSEMBLE DE CROCHET SUPÉRIEUR 3 TONNES</b>	
–	33	Ensemble de suspension supérieure	1
–	–	Suspension supérieure	1
–	–	Ensemble de loquet	1
–	–	Boulon de moufle à crochet	1
–	–	Écrou hexagonale M6	1
<b>BAN-0123</b>		<b>ENSEMBLE DE CROCHET SUPÉRIEUR 6 TONNES</b>	
–	33	Ensemble de suspension supérieure	1
–	–	Suspension supérieure	1
–	–	Ensemble de loquet	1
–	–	Boulon de moufle à crochet	1
–	–	Écrou hexagonale M6	1
<b>BAN-0132</b>		<b>ENSEMBLE DE CROCHET INFÉRIEUR 3 TONNES</b>	
–	37	Ensemble de crochet inférieur	1
–	–	Crochet	1
–	–	Ensemble de loquet	1
–	–	Boulon de moufle à crochet	1
–	29	Boulon de chaîne à crochet inférieur	1
–	–	Écrou hexagonale M6	1
<b>BAN-0133</b>		<b>ENSEMBLE DE CROCHET INFÉRIEUR 6 TONNES</b>	
–	37	Ensemble de crochet inférieur	1
–	–	Crochet	1
–	–	Ensemble de loquet	1
–	–	Boulon de moufle à crochet	1
–	29	Boulon de chaîne à crochet inférieur	1
–	–	Écrou hexagonale M6	1
<b>BAN-0142</b>		<b>ENSEMBLE DE REMPLACEMENT DE POIGNÉE 3 ET 6 TONNES</b>	
–	15	Poignée 3 et 6 T (vis et écrou compris)	1
–	–	Colle	1
<b>85394</b>	<b>28</b>	<b>ENSEMBLE DE CHAÎNE DE CHARGE 3 ET 6 TONNES</b>	–
<b>00002331</b>	<b>21</b>	<b>ARBRE DE CROCHET SUPÉRIEUR 3 ET 6 TONNES</b>	<b>1</b>
<b>53822</b>	–	<b>ENSEMBLE DE LOQUET 3 TONNES</b>	<b>1</b>
<b>53940</b>	–	<b>ENSEMBLE DE LOQUET 6 TONNES</b>	<b>1</b>
<b>00002324</b>	<b>15</b>	<b>ENSEMBLE DE POIGNÉE DE LEVIER</b>	<b>1</b>

# SCHÉMA DES PIÈCES 3 ET 6 TONNES

**BANDIT**<sup>TM</sup>  
LEVER CHAIN HOIST

FRANÇAIS



ENSEMBLES DE  
CROCHETS SUPÉRIEUR  
ET INFÉRIEUR 6  
TONNES

ENSEMBLES  
DE CROCHETS  
SUPÉRIEUR ET  
INFÉRIEUR 3 TONNES

**CM BANDIT**





**CM**  
**BANDIT**<sup>™</sup>  
LEVER CHAIN HOIST



COLUMBUS MCKINNON  
CORPORATION

FAMILY OF BRANDS



**USA:** Ph: (800) 888.0985 • (716) 689.5400 • Fax: (716) 689.5644 • [www.cmworks.com](http://www.cmworks.com)

**CANADA:** Ph: (877) 264.6478 • Fax: (877) 264.6477 • [www.cmworks.com](http://www.cmworks.com)